

Magnetic Proximity Sensors (Hall Effect)



MP1013 Sensors

Hall-effect position sensor with convenient snap-fit mounting

Description

The MP1 Series sensors are one-piece non-contact solid-state position sensors. The sensors operate through the use of Hall Effect technology with magnetic fields generated by permanent magnets. They provide a sinking current output.

Features

- Solid state reliability
- Stable output over operating temperature range
- Open collector (NPN) output can be used with bipolar or CMOS logic circuits with suitable pull-up resistor
- South pole sensitive
- Unipolar device (MP101301, MP101302)
- Latching version available (MP101303)
- RoHS compliant
- Fastener-less design
- IP67

Typical Applications

- Door position & interlock
- Limit switch
- Flow/speed
- Home security
- Pedal switch

Environmental Specifications

Operating / Storage Temperature (MP101301, MP101303)	-40 °C to 85 °C (-40 °F to 185 °F)
Operating / Storage Temperature (MP101302)	-40 °C to 125 °C (-40 °F to 257 °F)
Ingress Protection	IP67

Electrical Specifications

Operating Supply Voltage	5 to 24 VDC
Supply Current (MP101301, MP101302)	4.1 mA typ., 7.5 mA max.
Supply Current (MP101303)	2.6 mA typ., 5 mA max.
Output Current (Sink) (MP101301, MP101302)	25 mA max.
Output Current (Sink) (MP101303)	20 mA max.
Maximum Input Voltage (MP101301, MP101302)	30 VDC
Maximum Input Voltage (MP101303)	28 VDC
Maximum Reverse Voltage (MP101301, MP101302)	30 VDC
Maximum Reverse Voltage (MP101303)	None
Pull-Up Resistor	See chart

Mechanical Specifications

Housing Material	Glass-reinforced nylon plastic
------------------	--------------------------------

Products

Part Number	Leads
MP101301	24 AWG x 150 mm
MP101302*	24 AWG x 150 mm
MP101303*	24 AWG x 150 mm

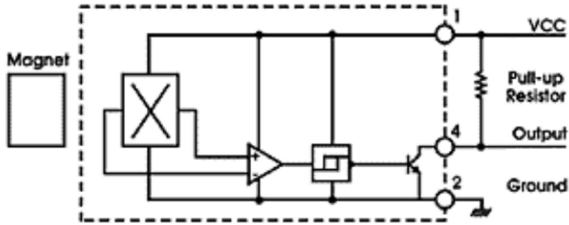
*Not commonly stocked

Note: An external pull-up resistor is required, the value of which is dependent on the supply voltage. The resistor should be connected between the output and Vcc. Refer to the wiring diagram for lead colors or pin numbering as applicable.

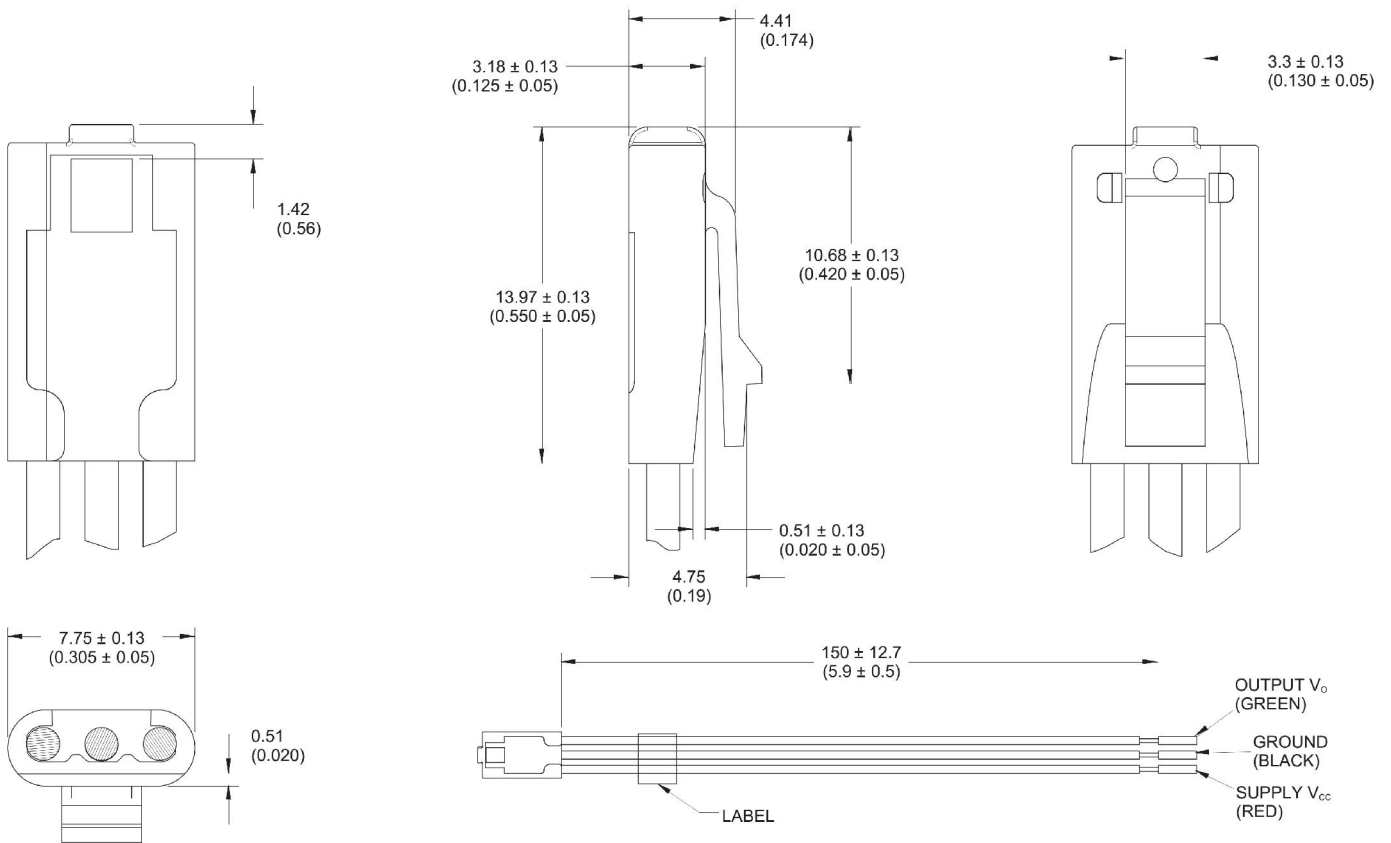
Recommended External Pull-Up Resistor

Volts DC	5	9	12	15	24
Ohms	1k	1.8k	2.4k	3k	3k

Open Collector Sinking Block Diagram



Dimensions mm (inches)



Mouser Electronics

Authorized Distributor

Click to View Pricing, Inventory, Delivery & Lifecycle Information:

[CHERRY:](#)

[MP101301](#)