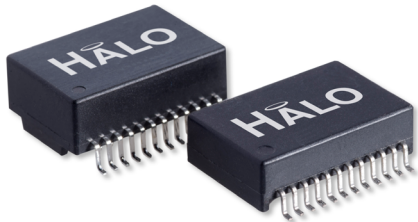


2.5G & 5G Transformers

SMD 2.5G/5G BASE-T Single Port Ethernet Isolation Modules



Product Features:

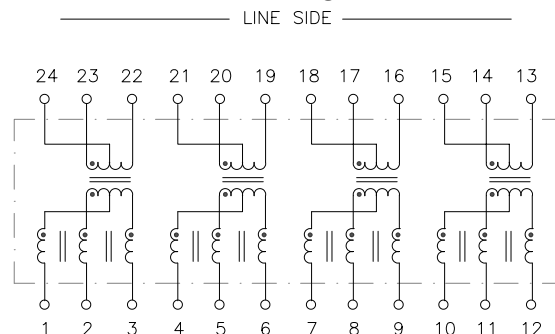
- 2.5G/5GBASE-T Ethernet Transformer/CMR
- IEEE802.3bz/af/at/bt Compliant
- 4PPoE - 4 Pair Power over Ethernet
- UL/EN60950 Recognized
- 100% Electrical Testing
- 1500Vrms Hi-Pot
- Designed for PSE and PD PoE Applications

Part Number	Data Rate	Total Power ¹	Current Per Pair	Operating Temp	DCR (max)	Package	Max Height inch [mm]
TG2G-S102NJLF	2.5G	30W	350mA	0 to +70°C	0.6Ω	NJ	0.250 [6.35]
TG2G-E102NJLF	2.5G	30W	350mA	-40 to +85°C	0.6Ω	NJ	0.250 [6.35]
TG2G-S12NZLF	2.5G	30W	350mA	0 to +70°C	0.6Ω	NZ	0.230 [5.84]
TG2G-E12NZLF	2.5G	30W	350mA	-40 to +85°C	0.6Ω	NZ	0.230 [5.84]
TG2G-HP6NZLF	2.5G	60W	600mA	0 to +70°C	0.5Ω	NZ	0.230 [5.84]
TG2G-HPE6NZLF	2.5G	60W	600mA	-40 to +85°C	0.5Ω	NZ	0.230 [5.84]
TG2G-HP10NZ5LF	2.5G	90W	1A	0 to +70°C	0.4Ω	NZ5	0.255 [6.48]
TG2G-HPE10NZ5LF	2.5G	90W	1A	-40 to +85°C	0.4Ω	NZ5	0.255 [6.48]
TG5G-S12NZ5LF	5G	30W	350mA	0 to +70°C	0.5Ω	NZ5	0.255 [6.48]
TG5G-E12NZ5LF	5G	30W	350mA	-40 to +85°C	0.5Ω	NZ5	0.255 [6.48]
TG5G-HP6NZ5LF	5G	60W	600mA	0 to +70°C	0.5Ω	NZ5	0.255 [6.48]
TG5G-HPE6NZ5LF	5G	60W	600mA	-40 to +85°C	0.5Ω	NZ5	0.255 [6.48]
TG5G-HP10NZ5LF	5G	90W	1A	0 to +70°C	0.4Ω	NZ5	0.255 [6.48]
TG5G-HPE10NZ5LF	5G	90W	1A	-40 to +85°C	0.4Ω	NZ5	0.255 [6.48]

Notes:

- ¹ Power rating reduced to half when using only two pairs for power as in 802.3af/802.3at applications.
- Please contact the factory or representative for individual datasheets or additional information.
- Footprint interchangeable 10G parts available at <https://www.haloelectronics.com/pdf/discrete-10gbaset.pdf>

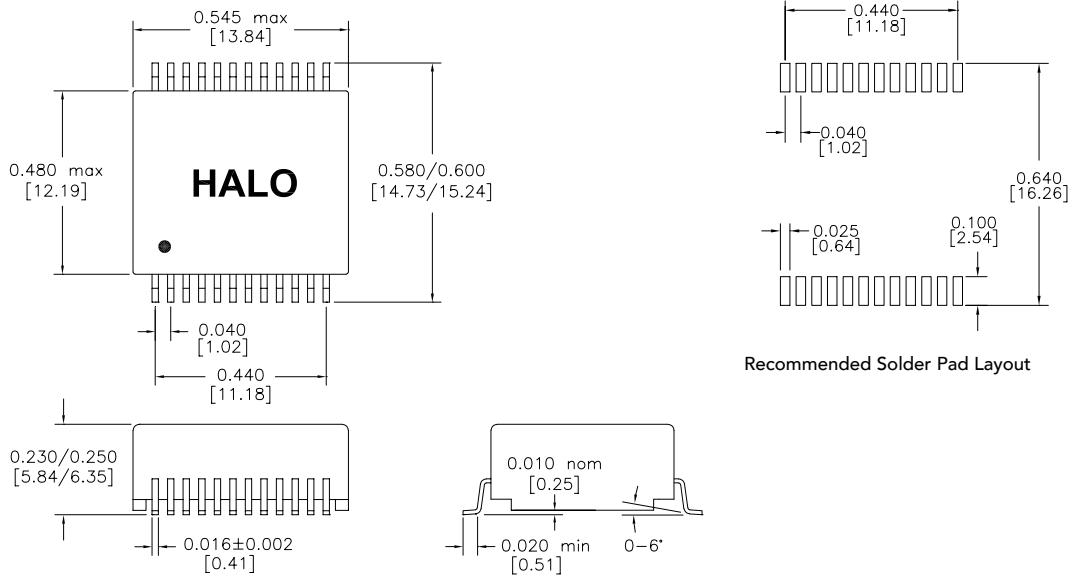
Circuit Diagram



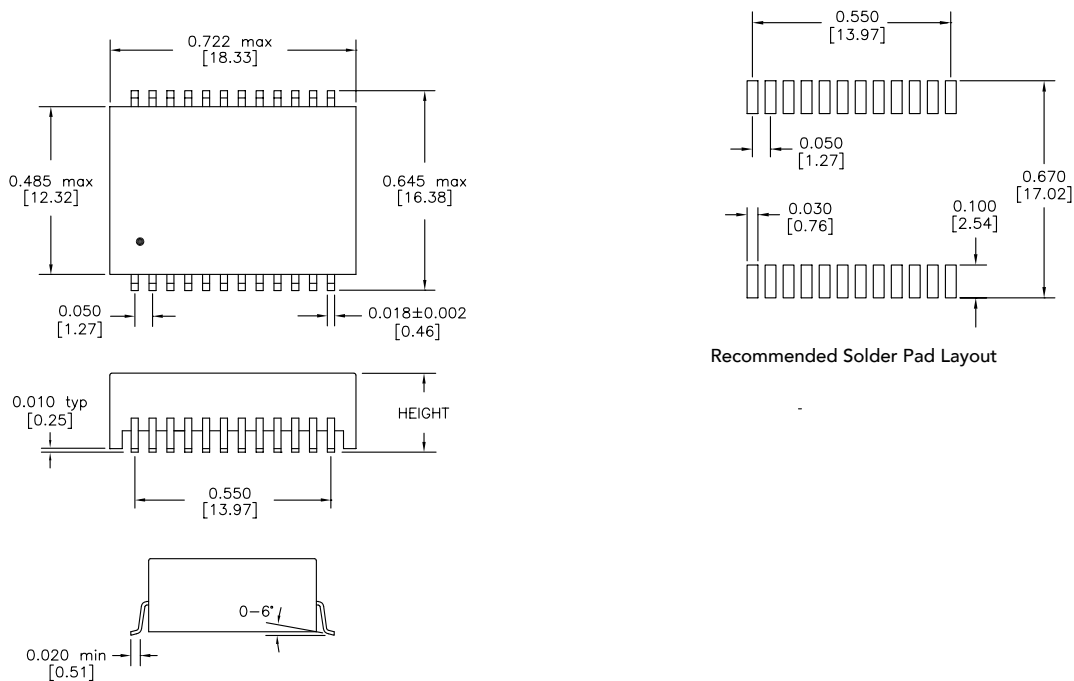
For additional information contact your [local representative](#), or HALO's support staff at (650) 903-3800 or info@haloelectronics.com

HALO 2.5G and 5G Ethernet Transformers

Mechanical - NJ Package



Mechanical - NZ & NZ5 Package



Patented Construction

US Patent Numbers:

5,656,985 6,297,721 B1

6,297,720 B1 6,320,489 B1

6,344,785 B1 6,662,431 B1

Dimensions: inch [mm]
Co-Planarity: 0.004 [0.10]



2933 BUnker Hill Lane #200
Santa Clara, CA 95054
(650) 903-3800

www.haloelectronics.com

HALO® Electronics is a leading supplier of high quality communication magnetics including signal transformers, filters, CMR chokes, PoE power transformers, DC/DC isolation modules, and integrated Ethernet connectors. HALO's high quality and competitively priced leading edge technology solutions are manufactured in ISO9001 and ISO14001 factories.

Mouser Electronics

Authorized Distributor

Click to View Pricing, Inventory, Delivery & Lifecycle Information:

HALO Electronics:

[TG2G-HP6NZLF](#) [TG5G-HPE6NZ5LF](#) [TG5G-HP10NZ5LF](#) [TG5G-HP10NZ5LFTR](#) [TG2G-S12NZLFTR](#) [TG2G-E12NZLF](#) [TG2G-HP10NZ5LF](#) [TG5G-E12NZ5LFTR](#) [TG5G-E12NZ5LF](#) [TG2G-HPE10NZ5LFTR](#) [TG2G-HPE6NZLF](#) [TG2G-HPE10NZ5LF](#) [TG5G-S12NZ5LF](#) [TG5G-HPE6NZ5LFTR](#) [TG2G-E12NZLFTR](#) [TG2G-HP6NZLFTR](#) [TG2G-HP10NZ5LFTR](#) [TG5G-HP6NZ5LF](#) [TG5G-S12NZ5LFTR](#) [TG2G-S12NZLF](#) [TG5G-HPE10NZ5LFTR](#) [TG2G-HPE6NZLFTR](#) [TG5G-HPE10NZ5LF](#) [TG5G-HP6NZ5LFTR](#) [TG2G-E102NJLF](#) [TG2G-E102NJLFTR](#)