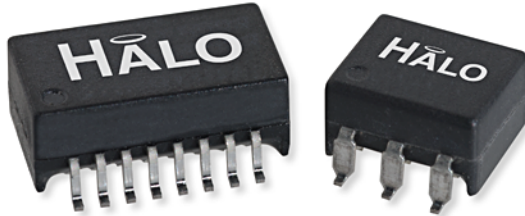


E4/STM-1/STS-3/OC-3 Modules

Single or Dual Transformer Isolation, SMD Package



Product Features:

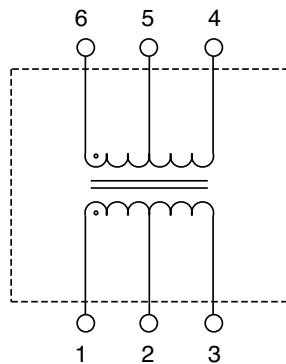
- Standard series of single and dual core devices to meet the requirements for E4, STM-1, STS-3 and OC-3 applications.
- Designed specifically to interface with the TDK 78P2253 transceiver.
- 1500Vrms Hi-Pot
- Operating Temp -40 to +85°C
- UL/EN60950 Recognized
- Patented Open Frame Construction

Part Number	Turns Ratio $\pm 3\%$ PRI:SEC	Return Loss 8-240MHz (min)	OCL PRI (μH min)	Bandwidth MHz	Primary Pins	Circuit Schematic	RoHS
TG04-TDK2NSLF	1CT:1CT	-15dB	36	0.1 - 400	1-3	A	Pb-Free
TG04-TDK2NSRL	1CT:1CT	-15dB	36	0.1 - 400	1-3	A	RoHS (7a)
TG04-TDK1N1LF	1CT:1CT & 1CT:1CT	-15dB	36	0.1 - 400	1-3, 6-8	B	Pb-Free
TG04-TDK1N1RL	1CT:1CT & 1CT:1CT	-15dB	36	0.1 - 400	1-3, 6-8	B	RoHS (7a)

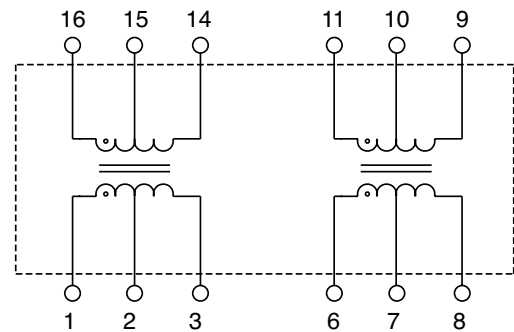
Notes:

1. Pb-Free parts are RoHS 6/6 compliant. RoHS (7a) parts contain lead per exemption 7a which is set to expire July 2016.
2. Parts with RL suffix are not recommended for new designs.
3. Please contact the factory or representative for individual datasheets or additional information.

Circuit A



Circuit B

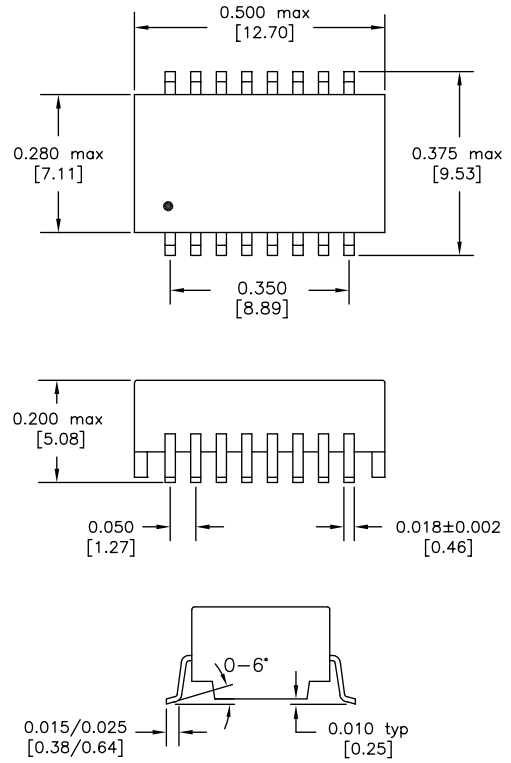


E4/STM-1/STS-3/OC-3 Isolation Modules

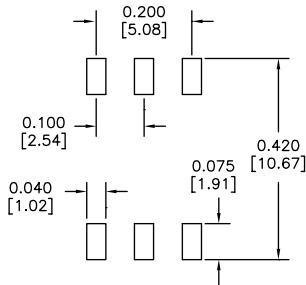
Package NS



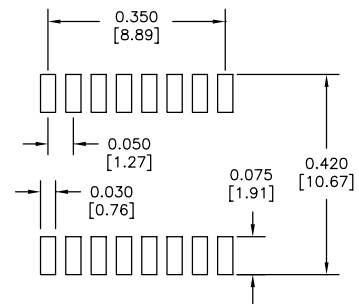
Package N1



Dimensions: inch [mm]
Co-Planarity: 0.004 [0.10]



Recommended
Solder Pad Dimensions



Recommended
Solder Pad Dimensions

US Patent Numbers

5,656,985 6,297,721 B1
6,297,720 B1 6,320,489 B1
6,344,785 B1 6,662,431 B1



2880 Lakeside Drive #116
Santa Clara, CA 95054
(650) 903-3800

www.haloelectronics.com

HALO® Electronics is a leading supplier of high quality communication magnetics including signal transformers, filters, CMR chokes, PoE power transformers, DC/DC converters, and integrated Ethernet connectors. HALO's leading edge technology solutions are manufactured in ISO9001 and ISO14001 factories offering high quality products at a competitive price.

Mouser Electronics

Authorized Distributor

Click to View Pricing, Inventory, Delivery & Lifecycle Information:

[HALO Electronics:](#)

[TG04-TDK1N1RL](#) [TG04-TDK1N1RLTR](#) [TG04-TDK2NSRL](#) [TG04-TDK2NSRLTR](#)