

Isolation Modules for Maxim™ MAX13253 1A Push-Pull Driver

8 pin SMD 1A Isolation Modules



Product Features:

- The TGM-H2xxV8LF and TGMR-H5xxV8LF series of transformers have been developed specifically for the Maxim MAX13253, low EMI, push-pull driver. These high efficiency, extended temp range transformers have been designed for up to 1A input.
- UL60950, EN60950 and DEMKO recognized.
- Tested and approved by Maxim when used with the MAX13253.
- Operating Temp: -40 to +85°C

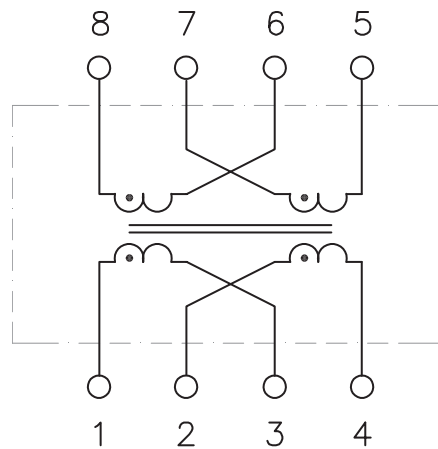
Part Number	Turns Ratio $\pm 3\%$ PRI : SEC	PRI OCL (μH Nom.)	PRI DCR (Ω Max.)	Cw/w (pF Max.)	ET Constant (V- μs Min.)	Isolation Voltage
TGM-H240V8LF	1:1:1.3:1.3	780	150m Ω	23	25V- μs	1,500Vrms
TGM-H260V8LF	1:1:2:2	780	150m Ω	25	25V- μs	1,500Vrms
TGM-H280V8LF	1:1:2.67:2.67	780	150m Ω	25	25V- μs	1,500Vrms
TGMR-H540V8LF	1:1:1.375:1.375	600	180m Ω	15	25V- μs	4,500Vrms
TGMR-H560V8LF	1:1:2:2	600	180m Ω	17	25V- μs	4,500Vrms
TGMR-H580V8LF	1:1:2.67:2.67	320	150m Ω	12	18 V- μs	4,500Vrms

Notes:

1. Pri Pins: 1-4 (connect 2-3)
2. ET Constant over Temp Range: Measured at P1-4 with 2-3 connected.
3. For more information, pertaining to the MAX13253 please contact Maxim at 1-888-629-4642 or visit www.maximintegrated.com/en/products/power/isolated-power/MAX13253.html.
4. Maxim is a reg. trademark of Maxim Integrated Products.
5. Please contact factory for specific datasheets and additional turns ratios.

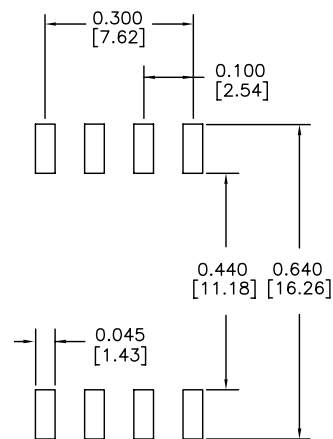
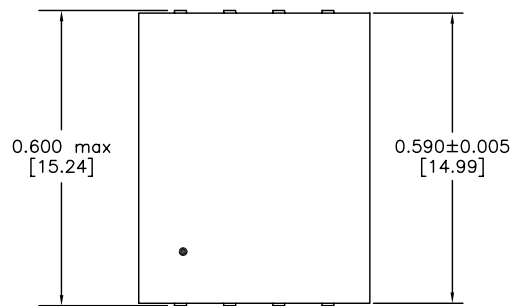
8 Pin SMD DC/DC Converter Isolation Modules

Schematic

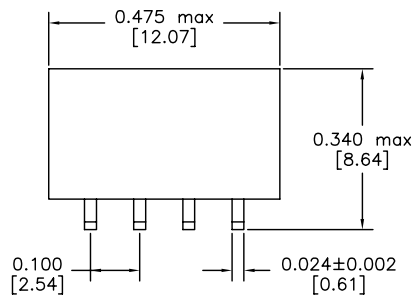


Mechanical

Dimensions: inches [mm]
Co-Planarity: 0.004 [0.10]



Recommended
Solder Pad Dimensions



2880 Lakeside Drive #116
Santa Clara, CA 95054
(650) 903-3800
www.haloelectronics.com

HALO® Electronics is a leading supplier of high quality communication magnetics including signal transformers, filters, CMR chokes, PoE power transformers, DC/DC converters, and integrated Ethernet connectors. HALO's leading edge technology solutions are manufactured in ISO9001 and ISO14001 factories offering high quality products at a competitive price.

Mouser Electronics

Authorized Distributor

Click to View Pricing, Inventory, Delivery & Lifecycle Information:

HALO Electronics:

[TGM-H280V8LF](#) [TGM-H240V8LF](#) [TGM-H260V8LF](#) [TGMR-H540V8LF](#) [TGM-H280V8LFTR](#) [TGMR-H560V8LF](#)
[TGMR-H580V8LF](#) [TGM-H240V8LFTR](#) [TGMR-H540V8LFTR](#) [TGM-H260V8LTR](#) [TGMR-H560V8LFTR](#) [TGMR-](#)
[H580V8LFTR](#) [TGM-H260V8LFTR](#)