



**PART NO. : TG49-1505NXRL**

FOUR-PORT T1/E1 ISOLATION MODULE  
RoHS COMPLIANT

COMPATIBLE TO LEAD-FREE SOLDERING PROCESS  
CONDITION PER IPC/JEDEC J-STD-020C  
UL/EN60950 AND DEMKO RECOGNIZED  
EXTENDED OPERATING TEMPERATURE -40/+85°C

**ELECTRICAL SPECIFICATIONS @25° C**

URNS RATIO

P1-3:P40-39,P6-8:P35-34, 1CT:2 ±2%  
P11-13:P30-29,P16-18:P25-24  
P4-5:38-36,P9-10:P33-31, 1:2CT ±2%  
P14-15:P28-26,P19-20:P23-21

ACL

P1-3,P4-5,P6-8,P9-10, 1.5mH typ  
P11-13,P14-15,P16-18,P19-20

DCR

P1-3,P4-5,P6-8,P9-10, 0.8Ω max  
P11-13,P14-15,P16-18,P19-20

LL

P1-3,P4-5,P6-8,P9-10, 0.5μH max  
P11-13,P14-15,P16-18,P19-20

Cw/w

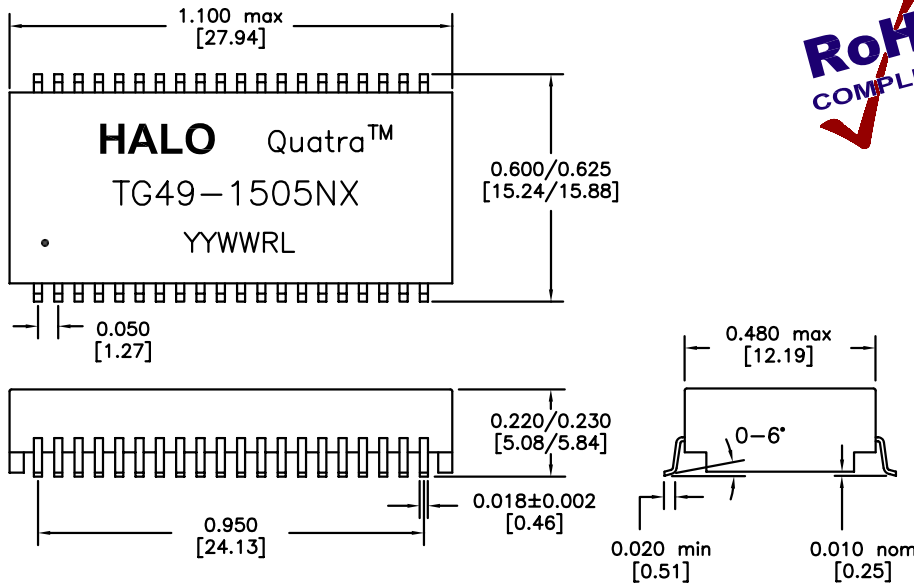
35pF max

CROSSTALK 0.5-5MHz

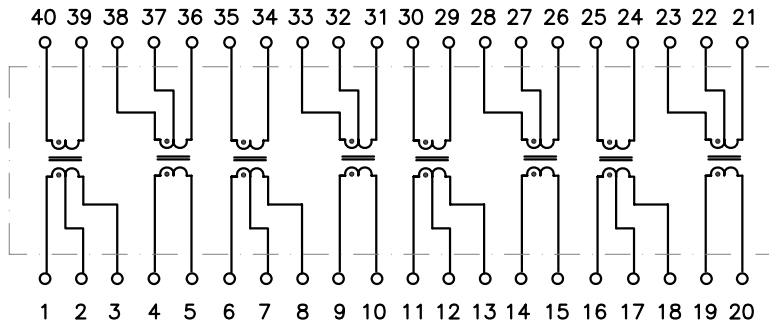
-60dB typ

ISOLATION

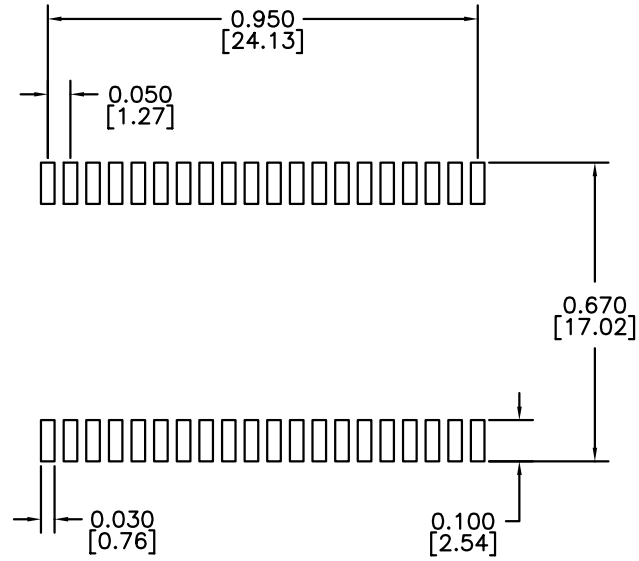
1,500Vrms



DIMENSIONS: Inch [mm]  
CO-PLANARITY: 0.004 [0.10]  
TOLERANCES: ±0.005 INCH IF NOT SPECIFIED



|  |          |                  |      |            |              |          |         |               |          |
|--|----------|------------------|------|------------|--------------|----------|---------|---------------|----------|
| <b>HALO/PBL</b>                                    | TITLE    | ISOLATION MODULE |      | SIGNATURES | DATE         | REV.     | DESC.   | DATE          |          |
|  | FOR      | T1/E1            |      | DRAWN      | LI ZHI ZHONG | 11/29/05 | A       | FIRST ISSUE   | 11/29/05 |
|  | PART NO. | TG49-1505NXRL    |      | CHECKED    | LEI KEONG    | 3/23/11  | B       | PROD. RELEASE | 3/23/11  |
|  | SCALE    | NONE             | PAGE | 1 OF 2     | APPROVED     | PETER LU | 3/23/11 |               |          |
| CALIFORNIA, USA<br>KOWLOON, HONG KONG<br>SINGAPORE |          |                  |      | FILE       | TG49NXRL.DWG |          |         |               |          |



RECOMMENDED SOLDER PAD DIMENSIONS  
 DIMENSIONS: Inch [mm]

|  |                        |                   |                    |  |                   |      |               |          |
|--|------------------------|-------------------|--------------------|--|-------------------|------|---------------|----------|
| <b>HALO/PBL</b>                                    | TITLE ISOLATION MODULE |                   | SIGNATURES         |  | DATE              | REV. | DESC.         | DATE     |
|  | FOR T1/E1              |                   | DRAWN LI ZHI ZHONG |  | 11/29/05          | A    | FIRST ISSUE   | 11/29/05 |
|  | PART NO. TG49-1505NXRL |                   | CHECKED LEI KEONG  |  | 3/23/11           | B    | PROD. RELEASE | 3/23/11  |
|  | SCALE NONE             |                   | PAGE 2 OF 2        |  | APPROVED PETER LU |      | 3/23/11       |          |
| CALIFORNIA, USA<br>KOWLOON, HONG KONG<br>SINGAPORE |                        | FILE TG49NXRL.DWG |                    |  |                   |      |               |          |

# Mouser Electronics

Authorized Distributor

Click to View Pricing, Inventory, Delivery & Lifecycle Information:

[HALO Electronics:](#)

[TG49-1505NXRLTR](#) [TG49-1505NXRL](#)