



**PART NO. : TG110-S050P1**

16PIN PCMCIA PACKAGE 10/100BASE-T ISOLATION  
MODULE WITH THREE WIRE COMMON MODE CHOKE  
FOR IMPROVED COMMON MODE TERMINATION

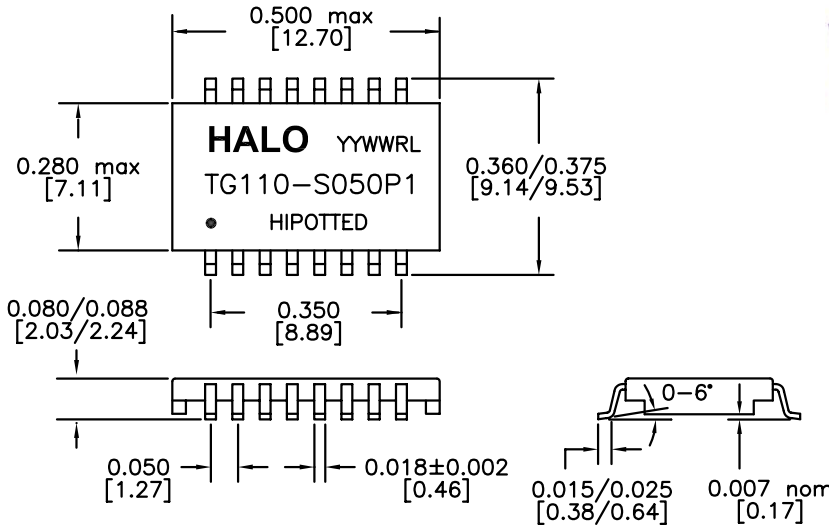
LEAD-FREE/ROHS COMPLIANT

COMPATIBLE TO LEAD-FREE SOLDERING PROCESS  
CONDITION PER IPC/JEDEC J-STD-020C

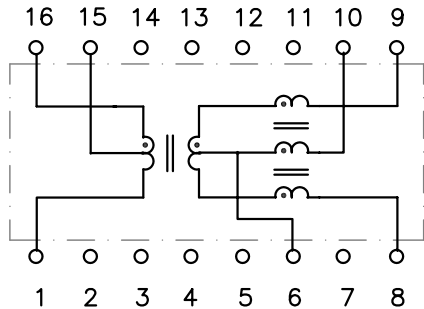
OPERATING TEMPERATURE 0/+70°C

**ELECTRICAL SPECIFICATIONS @25° C**

|                      |             |
|----------------------|-------------|
| URNS RATIO           | 1CT:1CT ±3% |
| OCL (100KHz,0.1Vrms) | 350µH min   |
| DCR P1-16            | 0.9Ω max    |
| LL (1MHz)            | 0.4µH max   |
| Cw/w                 | 15pF typ    |
| INSERTION LOSS       |             |
| 0.1-100MHz           | -1.1dB max  |
| RETURN LOSS          |             |
| 0.5-30MHz            | -18dB min   |
| 40MHz                | -15.5dB min |
| 50MHz                | -13.6dB min |
| 60-80MHz             | -10dB min   |
| CMR 0.1-100MHz       | -30dB typ   |
| ISOLATION            | 1,500 Vrms  |



DIMENSIONS: Inch [mm]  
CO-PLANARITY: 0.004 [0.10]  
TOLERANCES: ±0.005 INCH IF NOT SPECIFIED



**HALO/PBL**

CALIFORNIA, USA  
KOWLOON, HONG KONG  
SINGAPORE

|       |                       |                |                |              |      |       |      |
|-------|-----------------------|----------------|----------------|--------------|------|-------|------|
| TITLE | ISOLATION TRANSFORMER |                | SIGNATURES     | DATE         | REV. | DESC. | DATE |
|       | FOR                   | FAST ETHERNET  | DRAWN PETER LU | 2/16/06      | A    |       |      |
|       | PART NO.              | TG110-S050P1RL | CHECKED        |              |      |       |      |
|       | SCALE                 | NONE           | APPROVED       |              |      |       |      |
|       | PAGE                  | 1 OF 1         | FILE           | S050P1RL.DWG |      |       |      |

# Mouser Electronics

Authorized Distributor

Click to View Pricing, Inventory, Delivery & Lifecycle Information:

[HALO Electronics:](#)

[TG110-S041P1RL](#) [TG110-S041P1RLTR](#) [TG110-S042P1RL](#) [TG110-S042P1RLTR](#) [TG110-S055N1RL](#) [TG110-S055N1RLTR](#) [TG110-E010NXRL](#) [TG110-E010NXRLTR](#)