

PART NO. : HFJ12-1G11ER-L12RL



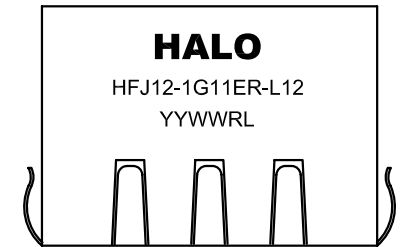
1X2 FASTJACK™ WITH 1000BASE-T MAGNETICS
 COMPLIANT TO IEEE802.3ab STANDARDS

RoHS COMPLIANT

COMPATIBLE TO LEAD-FREE WAVE SOLDERING
 PROCESS FOR THROUGH HOLE COMPONENTS

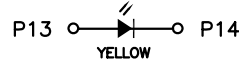
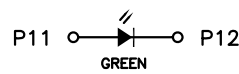
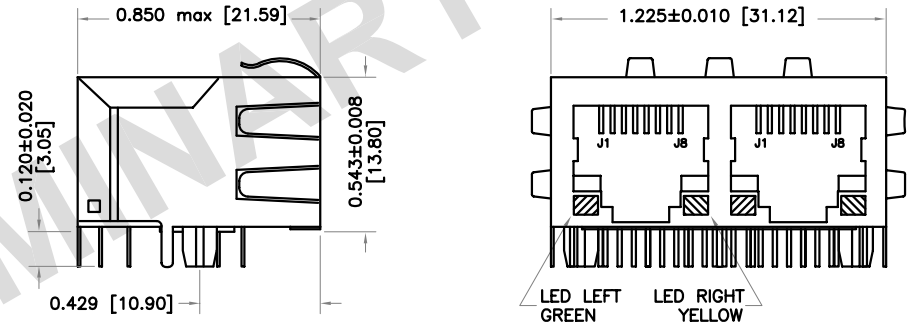
OPERATING TEMPERATURE 0/70°C

Housing Material: Polyester, Black UL94V-0
 Contacts: Phosphor Bronze 30µin Au plating over Ni
 Leads: Matte Sn over Ni
 Shield: Cu Alloy with Ni plating 40µin min
 Durability: 1000 mating cycles
 Dimensions: Inch [mm]
 Tolerances: ±0.008 inch if not specified

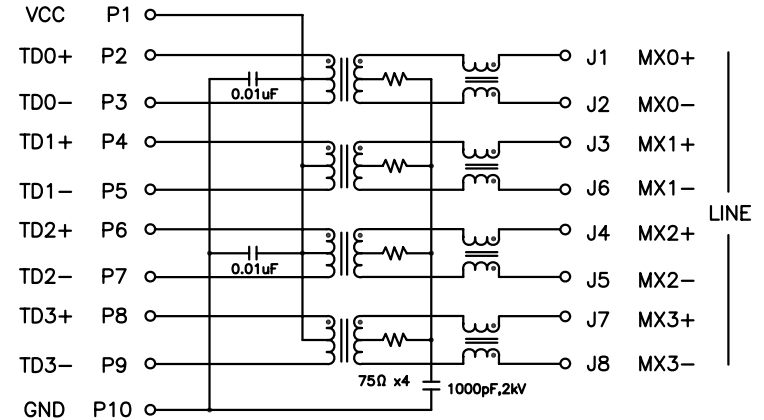


ELECTRICAL SPECIFICATIONS @25° C

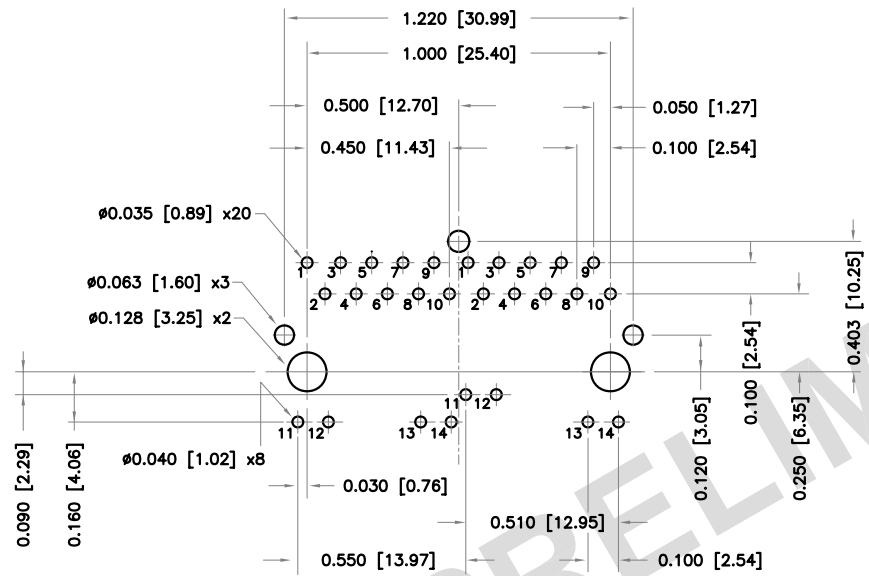
URNS RATIO	1:1±3%
OCL (100KHz,0.1V,8mA)	350µH min
INSERTION LOSS 1-100MHz	-1.1dB max
RETURN LOSS 1-40MHz	-18dB min
60MHz	-14dB min
80MHz	-12dB min
100MHz	-10dB min
CROSSTALK 1-100MHz	-35dB typ
CMR 0.1-30MHz	-50dB typ
30-60MHz	-40dB typ
60-100MHz	-35dB typ
ISOLATION	1,500Vrms



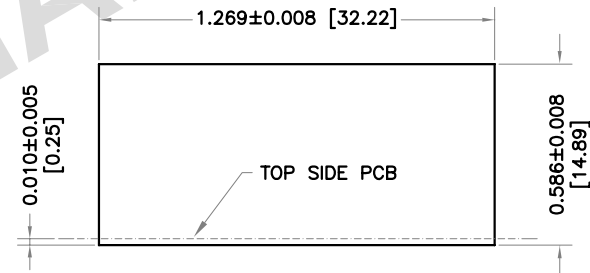
LED FORWARD VOLTAGE/
 CURRENT: 2.1V/10mA typ



HALO/PBL	TITLE	FastJack™ 1x2	SIGNATURES	DATE	REV.	DESC.	DATE
	FOR	GIGABIT ETHERNET	DRAWN	LI ZHI ZHONG	4/13/11	A	FIRST ISSUE
CALIFORNIA, USA KOWLOON, HONG KONG SINGAPORE	PART NO.	HFJ12-1G11ER-L12RL	CHECKED	LEI KEONG	4/13/11		
	SCALE	NONE	APPROVED	PETER LU	4/13/11		
	PAGE	1 OF 2	FILE	HFJ121G11ER-L12RL.DWG			



RECOMMENDED P.C. BOARD PATTERN (COMP. SIDE)
TOLERANCES ± 0.002 [0.05] UNLESS SPECIFIED



RECOMMENDED PANEL CUTOUT

HALO/PBL

CALIFORNIA, USA
KOWLOON, HONG KONG
SINGAPORE

TITLE	FastJack™ 1x2	SIGNATURES	DATE	REV.	DESC.	DATE
FOR	GIGABIT ETHERNET	DRAWN	LI ZHI ZHONG	4/13/11	A	FIRST ISSUE
PART NO.	HFJ12-1G11ER-L12RL	CHECKED	LEI KEONG	4/13/11		
SCALE	NONE	APPROVED	PETER LU	4/13/11		
PAGE	2 OF 2	FILE	HFJ121G11ER-L12RL.DWG			

Mouser Electronics

Authorized Distributor

Click to View Pricing, Inventory, Delivery & Lifecycle Information:

[HALO Electronics:](#)

[LG01-0346NURLTR](#) [HFJ12-1G11ER-L12RL](#)