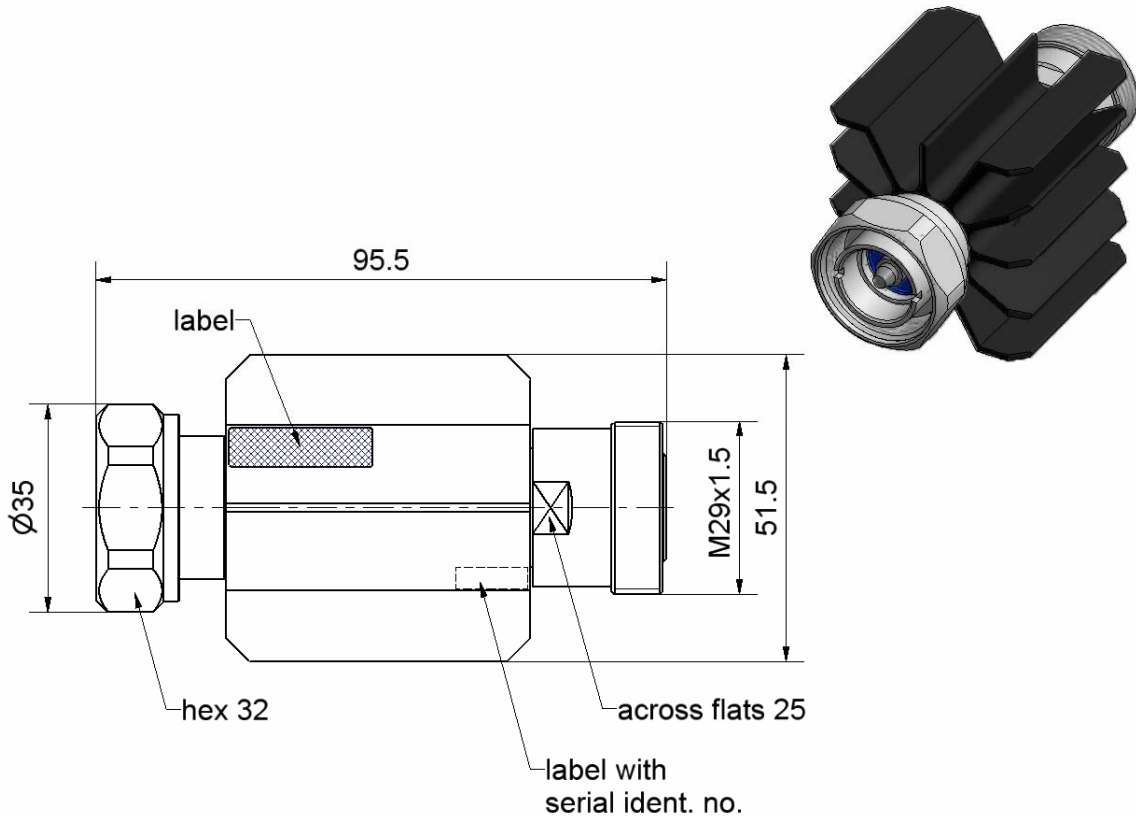


7/16  
50Ω

ATTENUATOR PLUG/JACK

**60AS120-K20N1**



All dimensions are in mm; tolerances according to ISO 2768 m-H

**Interface**

According to IEC 60169-4, VG 95250, EN 122190, DIN 47223

**Documents**

N/A

**Material and plating**

**Connector parts**

Center contact - plug  
Center contact - jack  
Outer contact  
Body  
Heatsink  
Coupling nut  
Dielectric  
Substrate

**Material**

Brass  
Beryllium copper  
Brass  
Brass  
Al  
Brass  
PPE  
ALN

**Plating**

Silver, 3-6 µm  
Silver, 3-6 µm  
Flash white bronze over silver(e.g. Optargen®)  
Flash white bronze over silver(e.g. Optargen®)  
black anodised  
Flash white bronze over silver(e.g. Optargen®)

RF\_35/08.06/4.0

7/16  
50Ω

ATTENUATOR PLUG/JACK

**60AS120-K20N1**

**Electrical data**

Impedance	50 Ω
Frequency	DC to 8 GHz
Return loss	≥ 30.7 dB, DC to 1 GHz ≥ 26.4 dB, 1 GHz to 2 GHz ≥ 20.0 dB, 2 GHz to 8 GHz
Attenuation	20 dB
Tolerances	≤ ± 0.4 dB, DC to 4 GHz ≤ ± 0.8 dB, 4 GHz to 8 GHz
Center contact resistance	≤ 4.0 mΩ
Outer contact resistance	≤ 1.5 mΩ
Power handling	20 W at 25°C derated linearity to 0 Watts at 125°C

**Mechanical data**

Mating cycles	min. 500
Coupling nut retention	≥ 1000 N
Center contact captivation	≥ 200 N
Coupling test torque	max. 35 Nm
Recommended torque	25 Nm to 30 Nm

**Environmental data**

Temperature range	-65°C to +85°C
2002/95/EC (RoHS)	compliant

**Tooling**

N/A

**Suitable cables**

N/A

**Packing**

Standard	1 pce in bag
Weight	270 g/pce

While the information has been carefully compiled to the best of our knowledge, nothing is intended as representation or warranty on our part and no statement herein shall be construed as recommendation to infringe existing patents. In the effort to improve our products, we reserve the right to make changes judged to be necessary.

Draft	Date	Approved	Date	Rev.	Engineering change number	Name	Date
Kerstin Herzog	29/03/05	Frank Weiß	07/07/08	c00	08-0348	Kerstin Hobrak	08/07/08
Rosenberger Hochfrequenztechnik GmbH & Co. KG P.O.Box 1260 D-84526 Tittmoning Germany <a href="http://www.rosenberger.de">www.rosenberger.de</a>					Tel.: +49 8684 18-0 Fax: +49 8684 18-499 email: <a href="mailto:info@rosenberger.de">info@rosenberger.de</a>		Page 2 / 2

# Mouser Electronics

Authorized Distributor

Click to View Pricing, Inventory, Delivery & Lifecycle Information:

[Rosenberger:](#)

[60AS120-K20N1](#)