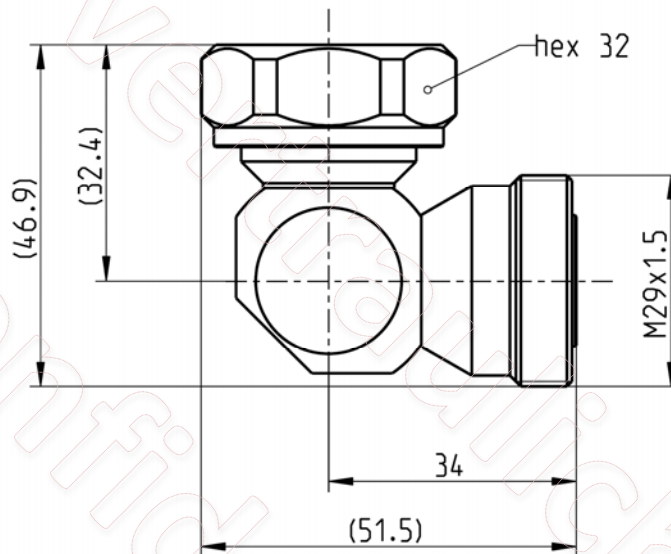
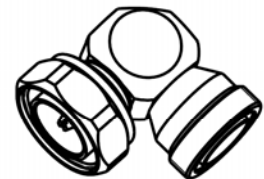


adaptor
7/16 plug - jack

60S231-K00N1



All dimensions are in mm; tolerances according to ISO 2768 m-H

Interface

According to IEC 60169-4, VG 95250, EN 122190, DIN 47223

Documents

N/A

Material and plating

Connector parts

- Center contact plug side
- Center contact jack side
- Outer contact
- Body
- Dielectric
- Gasket

Material

- Brass
- Spring bronze
- Brass
- Brass
- PTFE
- Silicone

Plating

- Silver, 3-6 µm
- Silver, 3-6 µm
- Flash white bronze over silver(e.g. Optargen®)
- Flash white bronze over silver(e.g. Optargen®)

adaptor
7/16 plug - jack

60S231-K00N1

Electrical data

Impedance	50 Ω
Frequency	DC to 7.5 GHz
Return loss	≥ 33 dB, DC to 2.5 GHz ≥ 30 dB, 2.5 to 4 GHz
Insertion loss	≤ 0.05 dB
Insulation resistance	≥ 10 ⁴ MΩ
Center contact resistance	≤ 0.4 mΩ
Outer contact resistance	≤ 1.5 mΩ
Working voltage (at sea level)	500 V rms, 50 Hz
Power handling (at 20 °C, sea level, VSWR 1.0)	1800 W @ 1 GHz 800 W @ 4 GHz
RF-leakage	≥ 128 dB up to 1 GHz
Intermodulation (3 rd order)	≤ -117 dBm @ 2 x 20 W

Mechanical data

Mating cycles	min. 500
Coupling nut retention	≥ 1000 N
Center contact captivation: axial	≥ 200 N
radial	≥ 30 Ncm
Coupling torque (recommended)	25 to 30 Nm
Proof torque	max. 35 Nm

Environmental data

Temperature range	-45°C to +85°C
Rapid change of temperature	DIN EN 122190, clause 4.6.7
Corrosion salt mist	DIN EN 122190, clause 4.6.10
Vibration	DIN EN 122190, clause 4.6.3
Damp heat	DIN EN 122190, clause 4.6.6
Climatic tests	DIN EN 122190, clause 4.6.5 (45/85/56)
RoHS	compliant

Tooling

N/A

Suitable cables

N/A

Weight

Weight 280 g/pce

While the information has been carefully compiled to the best of our knowledge, nothing is intended as representation or warranty on our part and no statement herein shall be construed as recommendation to infringe existing patents. In the effort to improve our products, we reserve the right to make changes judged to be necessary.

Draft	Date	Approved	Date	Rev.	Engineering change number	Name	Date
Inge Mühlauer	06/07/04	J_Gramsamer	01.04.15	f00	15-0397	J_Krautenb.	01.04.15
Rosenberger Hochfrequenztechnik GmbH & Co. KG P.O.Box 1260 D-84526 Tittmoning Germany www.rosenberger.de					Tel.: +49 8684 18-0 email: info@rosenberger.de		Page 2 / 2

Mouser Electronics

Authorized Distributor

Click to View Pricing, Inventory, Delivery & Lifecycle Information:

[Rosenberger:](#)

[60S231-K00N1](#)