

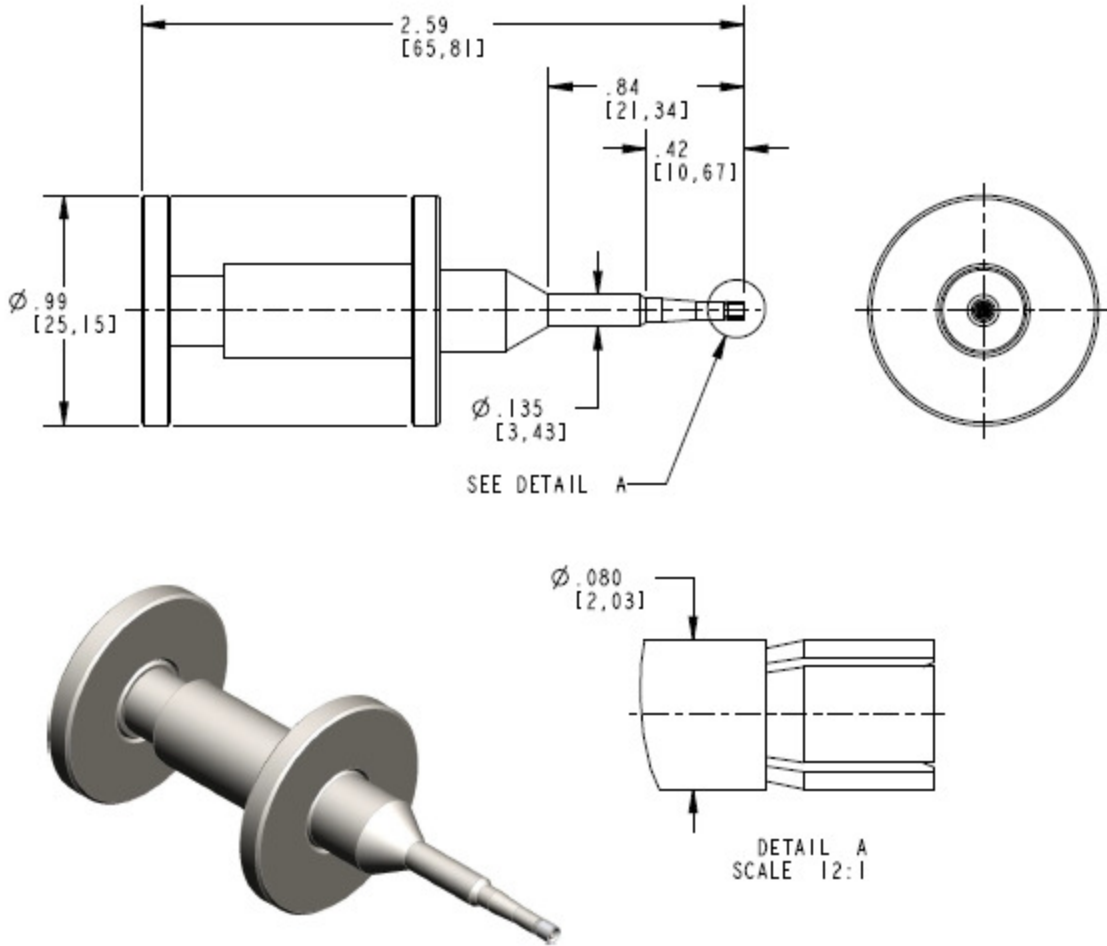
Technical Data Sheet

Rosenberger

WSMP

Installation/Extraction Tool
For Bullets (Adaptors)

W1W002-000



All dimensions are in inches [mm]

Interface

According to

Rosenberger WSMP™ Interface standards

Material and plating

Tool parts

Housing, post & handles
Collet
Spring

Material

Stainless steel
CuBe
Music wire

Plating

Passivated
Nickel

Draft	Date	Approved	Date	Rev.	Engineering change number	Name	Date
Paul Czikora	01/14/13	Paul Czikora	01/14/13	A	13-s000	Paul Czikora	01/14/13
Rosenberger of North America, LLC P.O. Box 309 Akron, PA USA 17501 www.rosenbergerna.com				Tel. : +1.717.859.8900 Fax : +1.717.859.7044 Email : info@rosenbergerna.com			Page 1 / 2

Mouser Electronics

Authorized Distributor

Click to View Pricing, Inventory, Delivery & Lifecycle Information:

[Rosenberger:](#)

[W1W002-000](#)