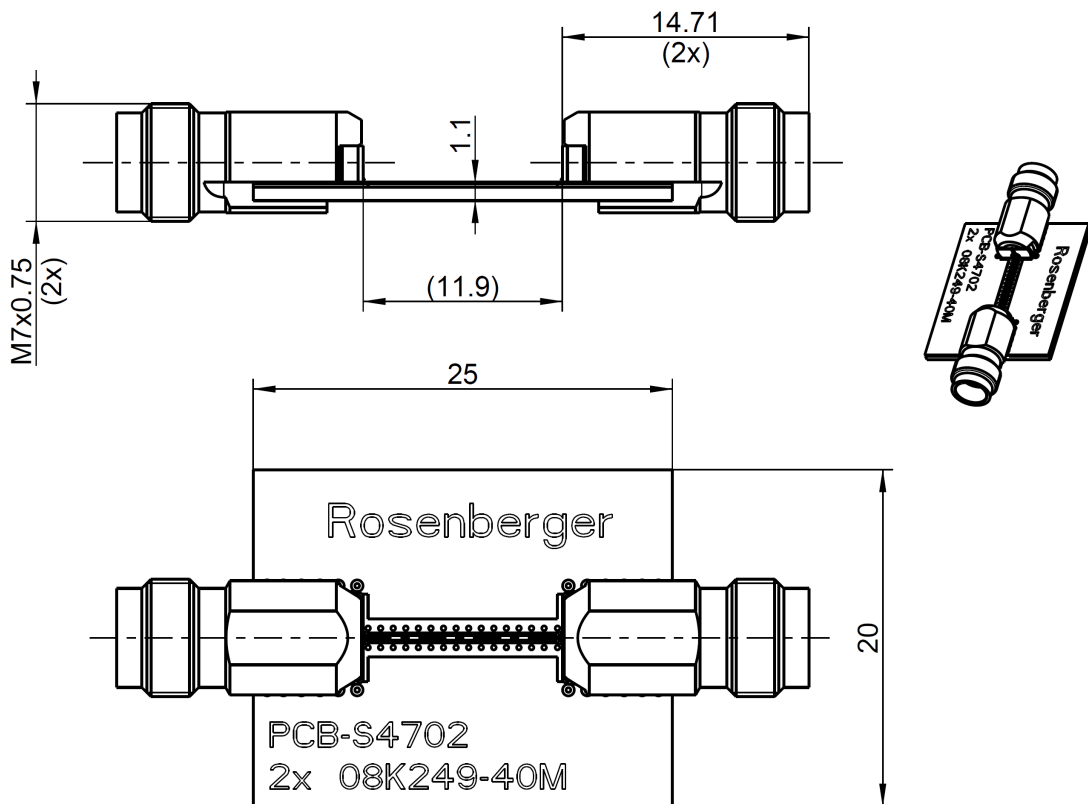


# Technical Data Sheet

# Rosenberger

Test PCB  
RPC-1.85 Jack / RPC-1.85 Jack

**PCB-S4702-SB**



All dimensions are in mm; tolerances according to ISO 2768 m-H

### Documents

Technical data sheet	RPC-1.85 SMD connector Jack	08K249-40ML5
----------------------	-----------------------------	--------------

### PCB parts

Board	RO4003/RF4 25x20	PCB-S4702-SU
-------	------------------	--------------

### Electrical data

Impedance	50 Ω
Frequency	DC to 70 GHz
Return loss	≥ 12 dB, DC to 70 GHz

### Environmental data

Temperature range	-40°C to +85°C
RoHS	compliant

### Weight

7.7 g/pce

While the information has been carefully compiled to the best of our knowledge, nothing is intended as representation or warranty on our part and no statement herein shall be construed as recommendation to infringe existing patents. In the effort to improve our products, we reserve the right to make changes judged to be necessary.

Draft	Date	Approved	Date	Rev.	Engineering change number	Name	Date
F. Reiner	10.10.19	H. babinger	20.11.19	100	19-v703	A. Youmsi	20.11.19

Rosenberger Hochfrequenztechnik GmbH & Co. KG  
P.O.Box 1260 D-84526 Tittmoning Germany  
[www.rosenberger.de](http://www.rosenberger.de)

Tel. : +49 8684 18-0  
Email : [info@rosenberger.de](mailto:info@rosenberger.de)

Page

1 / 1

# Mouser Electronics

Authorized Distributor

Click to View Pricing, Inventory, Delivery & Lifecycle Information:

[Rosenberger:](#)

[PCB-S4702-SB](#)