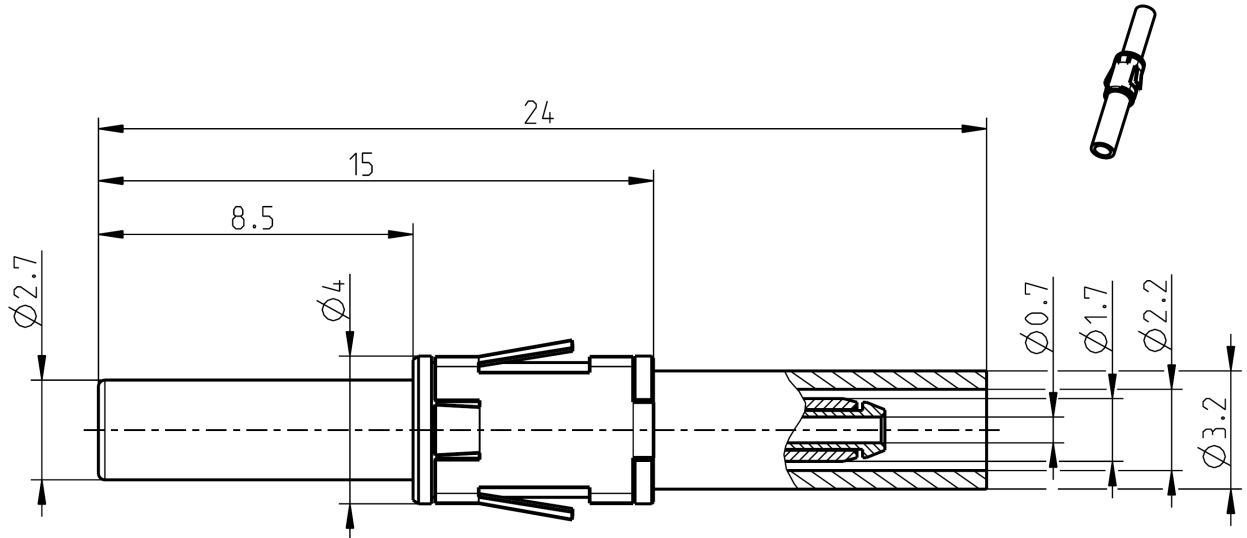


MF

straight plug

MF1S111-1H8L5-NM



All dimensions are in mm; tolerances according to ISO 2768 m-H

Interface

According to N/A

Documents

Assembly instruction MF-A7
 Panel piercing MB_385

Material and plating

Connector parts

Center contact	Spring bronze
Outer contact	Spring bronze
Body	Spring bronze
Dielectric	PTFE
Crimping ferrule	Brass

Plating

AuroDur®, gold plated
 AuroDur®, gold plated

Dieses Dokument ist urheberrechtlich geschützt • This document is protected by copyright • Rosenberger Hochfrequenztechnik GmbH & Co. KG

RF_35/05:10/6.0

MF

straight plug

MF1S111-1H8L5-NM

Electrical data

Impedance	50 Ω
Frequency	DC to 2 GHz
Return loss	≥ TBM dB, DC to 2 GHz
Insertion loss	TBM
Insulation resistance	≥ 5 x10 ³ MΩ
Center contact resistance	initial ≤ 30 mΩ
Outer contact resistance	initial ≤ 30 mΩ
Test voltage (at sea level)	TBM
Working voltage (at sea level)	TBM

Mechanical data

Mating cycles	min. 50.000
Engagement force	3 N
Disengagement force	3 N

Environmental data

Temperature range	-25°C .. +85°C
Thermal shock(optional)	MIL-STD-202, Meth. 107, Cond. B TBM
Corrosion(optional)	MIL-STD-202, Meth. 101, Cond. B TBM
Vibration(optional)	MIL-STD-202, Meth. 204, Cond. D TBM
Shock(optional)	MIL-STD-202, Meth. 213, Cond. I TBM
Moisture resistance(optional) (RoHS)	MIL-STD-202, Meth. 106 TBM compliant

Tooling

Crimping tool (optional)	11W150-000
Crimp insert (optional)	11W150-401

Suitable cables

6YC6Y 0.2/0.6 - 50

Packing

Standard	50 pcs in bag
Weight	1.12 g/pce

While the information has been carefully compiled to the best of our knowledge, nothing is intended as representation or warranty on our part and no statement herein shall be construed as recommendation to infringe existing patents. In the effort to improve our products, we reserve the right to make changes judged to be necessary.

Draft	Date	Approved	Date	Rev.	Engineering change number	Name	Date
G.Lapper	27/04/11	C. Kainzmaier	06.07.15	a00	15-s276	M. Schönsmaul	06.07.15
Rosenberger Hochfrequenztechnik GmbH & Co. KG P.O.Box 1260 D-84526 Tittmoning Germany www.rosenberger.de				Tel. : +49 8684 18-0 Fax : +49 8684 18-499 Email : info@rosenberger.de			Page 2 / 2

Mouser Electronics

Authorized Distributor

Click to View Pricing, Inventory, Delivery & Lifecycle Information:

[Rosenberger:](#)

[MF1S111-1H8L5-NM](#)