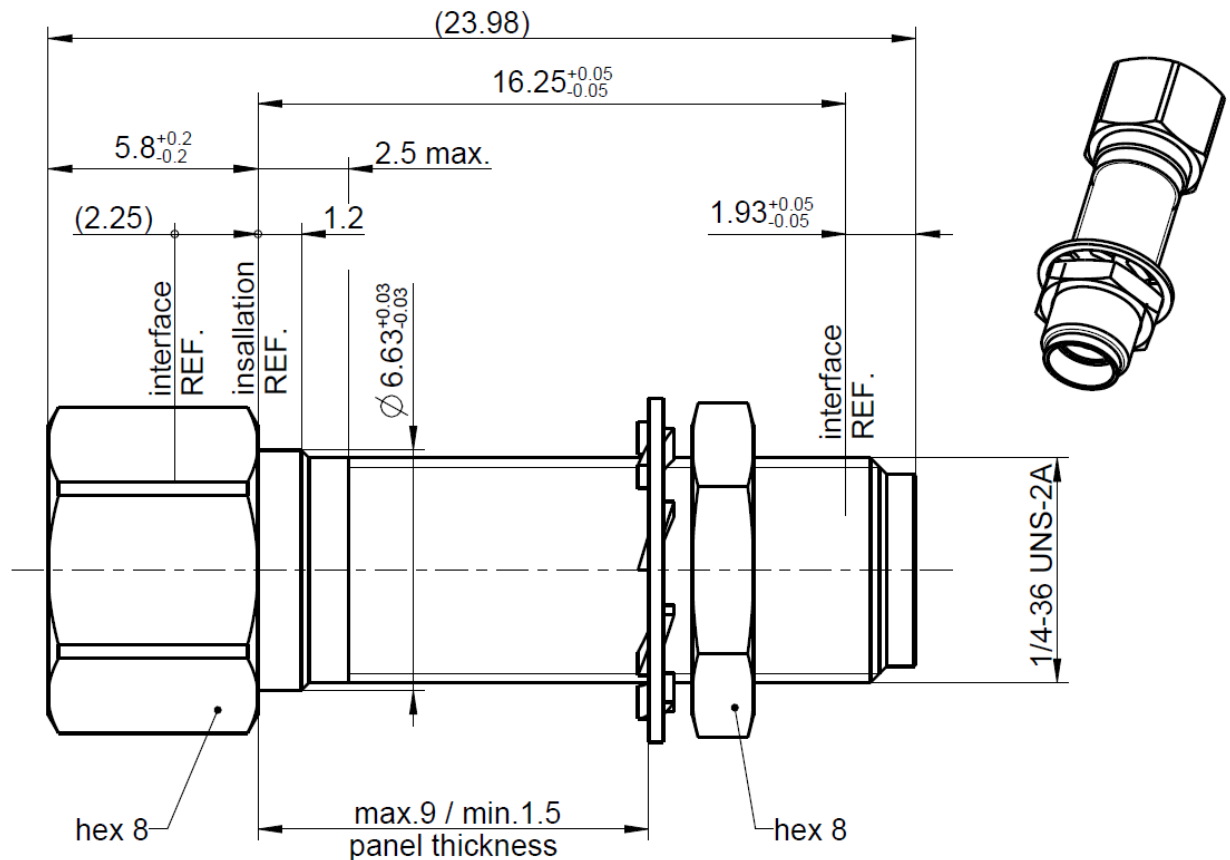


EBC

Adaptor
EBC jack – SMA female

EBCK632-K00N5



All dimensions are in mm; tolerances acc. to ISO 2768 m-H

Interface

According to: EBC-side: Rosenberger EBC
SMA side: IEC 60169-15; EN 122110; MIL-STD-348A, Fig. 310

Documents

Panel piercing B_730M
Application note EBC

Material and plating

Connector parts

Center contact EBC
Center Contact SMA
Outer contact EBC
Outer Contact SMA
Body EBC
Body
Dielectric

Material

Spring bronze
CuBe or equiv.
Spring bronze
Brass
Brass
Brass
PTFE / LCP

Plating

AuroDur®, gold plated
AuroDur®, gold plated
White bronze(e.g. Optalloy®)
AuroDur®, gold plated
Tin, 2-4 µm
Flash white bronze over silver(e.g. Optargen®)

Dieses Dokument ist urheberrechtlich geschützt • This document is protected by copyright • Rosenberger Hochfrequenztechnik GmbH & Co. KG

RF_35/09.14/6.2

EBC

Adaptor
EBC jack – SMA female

EBCK632-K00N5

Electrical data

Impedance	50 Ω
Frequency	DC to 8 GHz
Return loss	≥ 26 dB @ DC to 6 GHz* (tbd)
Insertion loss	≤ 0.03 x √f [GHz] dB (tbd)
Insulation resistance	≥ 5 GΩ (tbd)
Center contact resistance	≤ 10 mΩ (tbd)
Outer contact resistance	≤ 5 mΩ (tbd)
Test voltage (at sea level)	500 V rms (tbd)
Working voltage (at sea level)	335 V rms (tbd)
Power handling (sea level, VSWR 1.0)	100 W @ 2.2 GHz @ 25°C (tbd)
Contact Current	≤ 2A DC (tbd)
RF leakage – Interface only	≥ 50 dB up to 4 GHz (tbd)
Crosstalk – Next / Fext	≥ 70 dB up to 4 GHz (tbd)
Intermodulation (3 rd order)	≥ 140 dBc (2 x 43 dBm) (tbd)

Mechanical data

	EBC side	SMA side
Mating cycles	≥ 100 (tbd)	≥100
Center contact captivation	≥ 7 N	≥15 N tbd.
Disengagement force EBC side	Δ 3N - 5N (between Limited Detent and Smooth Bore) (tbd)	
Working range	1.6 mm (± 0.8 mm)	
Radial misalignment	4°	

Environmental data

Temperature range	-55 °C to +105°C
Thermal shock	MIL-STD-202, Method 107, Condition B
Climatic category	IEC 61169-1, Sub-clause 9.4.5 (+155 °C, 250 hours) (tbd)
Moisture resistance	MIL-STD-202, Method 106
Vibration	MIL-STD-202, Method 204, Condition B
Shock	MIL-STD-202, Method 213, Condition A
RoHS	compliant

Weight

Weight	4.5 g/pce
--------	-----------

While the information has been carefully compiled to the best of our knowledge, nothing is intended as representation or warranty on our part and no statement herein shall be construed as recommendation to infringe existing patents. In the effort to improve our products, we reserve the right to make changes judged to be necessary.

Draft	Date	Approved	Date	Rev.	Engineering change number	Name	Date
C_Schmidinger	19.10.18	C_Schmidinger	23.01.20	300	20-0147	T_Stadler	23.01.20
Rosenberger Hochfrequenztechnik GmbH & Co. KG P.O.Box 1260 D-84526 Tittmoning Germany www.rosenberger.de					Tel. : +49 8684 18-0 Email : info@rosenberger.de		Page 2 / 2

Mouser Electronics

Authorized Distributor

Click to View Pricing, Inventory, Delivery & Lifecycle Information:

[Rosenberger:](#)

[EBCK632-K00N5](#)