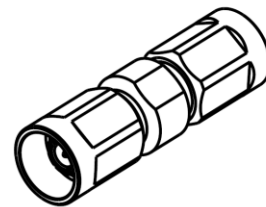
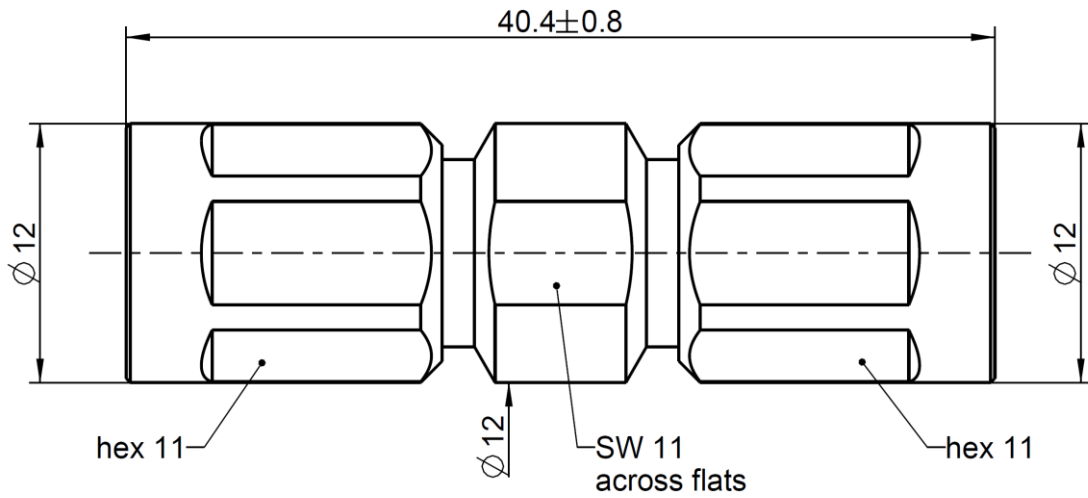


NEX10

Adaptor
NEX10® Plug – NEX10® Plug

89S101-S00N1



All dimensions are in mm; tolerances according to ISO 2768 m-H

Interface

According to NEX10®

Material and Plating

Connector parts

Connector parts	Material	Plating
Center contact	Brass	Silver, 3-6 μ m
Outer contact	Spring bronze	Silver, 3-6 μ m
Body	Brass	White bronze(e.g. Optalloy®)
Dielectric	PTFE	
Gasket	Silicone	

Dieses Dokument ist urheberrechtlich geschützt • This document is protected by copyright • Rosenberger Hochfrequenztechnik GmbH & Co. KG

RFB00035/12.20/6.4

NEX10

Adaptor
NEX10® Plug – NEX10® Plug

89S101-S00N1

Electrical Data

Impedance 50 Ω
 Frequency DC to 20 GHz
 Return loss ≥ 30 dB @ DC to 4 GHz
 ≥ 28 dB @ 4 GHz to 6 GHz
 ≥ 25 dB @ 6 GHz to 10 GHz
 Insertion loss ≤ 0.05 x √ f [GHz] dB
 Insulation resistance ≥ 5 GΩ
 Center contact resistance ≤ 2,0 mΩ
 Outer contact resistance ≤ 1.0 mΩ
 Working voltage 500 V rms
 RF-leakage ≥ 110 dB @ DC to 6 GHz
 Power handling 100 W @ 2.0 GHz and 85°C ambient temperature

Mechanical Data

Mating cycles ≥ 100
 Recommended torque 1.5 Nm

Environmental Data

Temperature range -55 °C to +125 °C operating temperature
 Thermal shock IEC 61169-1 9.4.4
 Vibration IEC 61169-1 9.3.3 and IEC 60068-2-64
 Shock IEC 61169-1 9.3.14
 Degree of protection (mated pair) IEC 60529, IP68 24h / 1m
 RoHS compliant

Tooling

N/A

Suitable Cables

N/A

Weight

21 g/pc

While the information has been carefully compiled to the best of our knowledge, nothing is intended as representation or warranty on our part and no statement herein shall be construed as recommendation to infringe existing patents. In the effort to improve our products, we reserve the right to make changes judged to be necessary.

For the installation of the electrotechnical equipment, particular electrotechnical expertise is required.



Draft	Date	Approved	Date	Rev.	Engineering change number	Name	Date
F. Fraunhofer	18.12.2017	Chr. Janßen	17.02.2021	b00	20-1927	B. Wollitzer	17.02.2021
Rosenberger Hochfrequenztechnik GmbH & Co. KG P.O.Box 1260 D-84526 Tittmoning Germany www.rosenberger.com					Tel. : +49 8684 18-0 Email : info@rosenberger.com		Page 2 / 2

Mouser Electronics

Authorized Distributor

Click to View Pricing, Inventory, Delivery & Lifecycle Information:

[Rosenberger:](#)

[89S101-S00N1](#)