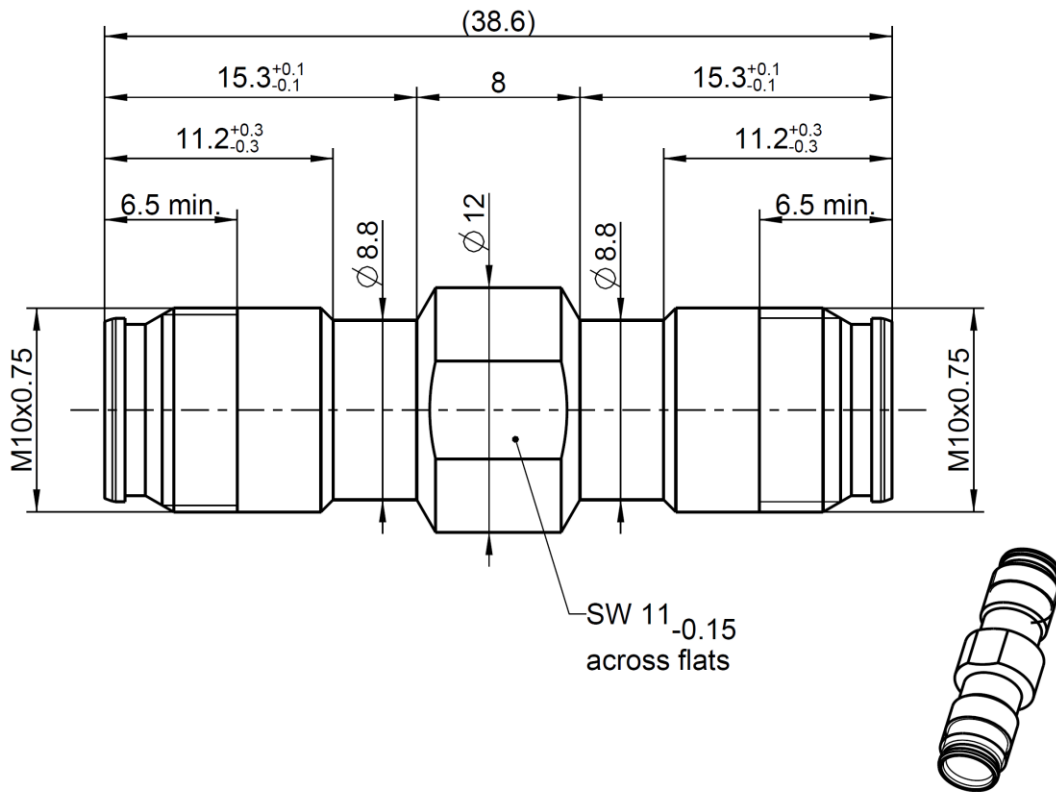


NEX10

Adaptor  
NEX10® Jack - NEX10® Jack

**89K101-K00N1**



All dimensions are in mm; tolerances according to ISO 2768 m-H

**Interface**

According to NEX10®

**Material and Plating**

**Connector parts**

Center contact  
Outer contact  
Body  
Dielectric

**Material**

CuBe  
Brass  
Brass  
PTFE

**Plating**

Silver, 3-6 µm  
White bronze(e.g. Optalloy®)  
White bronze(e.g. Optalloy®)

Dieses Dokument ist urheberrechtlich geschützt • This document is protected by copyright • Rosenberger Hochfrequenztechnik GmbH & Co. KG

RFB00035/12.20/6.4

NEX10

Adaptor  
NEX10<sup>®</sup> Jack - NEX10<sup>®</sup> Jack

**89K101-K00N1**

**Electrical Data**

|                           |  |
|---------------------------|--|
| Impedance                 | 50 Ω   |
| Frequency                 | DC to 20 GHz   |
| Return loss               | ≥ 30 dB @ DC to 4 GHz<br>≥ 28 dB @ 4 GHz to 6 GHz<br>≥ 25 dB @ 6 GHz to 10 GHz |
| Insertion loss            | ≤ 0.05 x √ f [GHz] dB  |
| Insulation resistance     | ≥ 5 GΩ   |
| Center contact resistance | ≤ 2.0 mΩ,  |
| Outer contact resistance  | ≤ 1.0 mΩ,  |
| Working voltage           | 500 V rms  |
| RF-leakage                | ≥ 110 dB @ DC to 6 GHz (tool tightened plugs)                                  |
| Power handling            | 100 W @ 2.0 GHz and 85 °C ambient temperature                                  |

**Mechanical Data**

|                    |        |
|--------------------|--------|
| Mating cycles      | ≥ 100  |
| Recommended torque | 1.5 Nm |

**Environmental Data**

|                                   |   |
|-----------------------------------|---|
| Temperature range                 | -55 °C to +125 °C operating temperature |
| Thermal shock                     | IEC 61169-1 9.4.4                       |
| Vibration                         | IEC 61169-1 9.3.3 and IEC 60068-2-64    |
| Shock                             | IEC 61169-1 9.3.14                      |
| Degree of protection (mated pair) | IEC 60529, IP68 24h / 1m                |
| RoHS                              | compliant                               |

**Tooling**

N/A

**Suitable Cables**

N/A

**Weight**

17.5 g/pc

While the information has been carefully compiled to the best of our knowledge, nothing is intended as representation or warranty on our part and no statement herein shall be construed as recommendation to infringe existing patents. In the effort to improve our products, we reserve the right to make changes judged to be necessary.

For the installation of the electrotechnical equipment, particular electrotechnical expertise is required.



|  |            |             |            |      |  |              |               |
|--|------------|-------------|------------|------|--|--------------|---------------|
| Draft  | Date       | Approved    | Date       | Rev. | Engineering change number  | Name         | Date          |
| F. Fraunhofer  | 15.12.2017 | Chr. Janßen | 02.02.2021 | b00  | 20-1927  | B. Wollitzer | 02.02.2021    |
| Rosenberger Hochfrequenztechnik GmbH & Co. KG<br>P.O.Box 1260 D-84526 Tittmoning Germany<br><a href="http://www.rosenberger.com">www.rosenberger.com</a> |            |             |            |      | Tel. : +49 8684 18-0<br>Email : <a href="mailto:info@rosenberger.com">info@rosenberger.com</a> |              | Page<br>2 / 2 |

# Mouser Electronics

Authorized Distributor

Click to View Pricing, Inventory, Delivery & Lifecycle Information:

[Rosenberger:](#)

[89K101-K00N1](#)