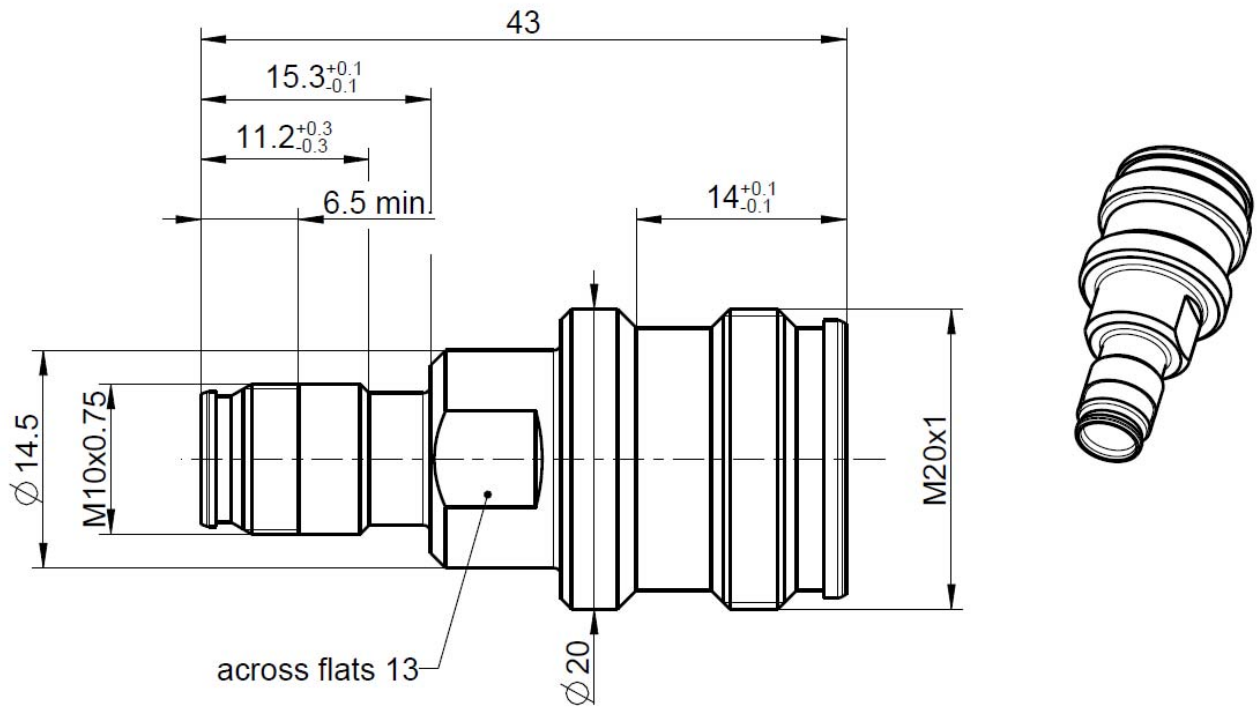


Adaptor  
NEX10 jack – 4.3-10 jack

**64K189-K00N1**



All dimensions are in mm; tolerances according to ISO 2768 m-H

**Interface**

According to	NEX10 side:	NEX10™
	4.3-10 side:	IEC 61169-54

**Documents**

Assembly instruction	N/A
----------------------	-----

**Material and plating**

**Connector parts**

Center contact		<b>Material</b> CuBe	<b>Plating</b> Silver, 3-6 µm
Outer contact	NEX10 side:	Brass	White bronze(e.g. Optalloy®)
Outer contact	4.3-10 side:	Brass	Silver, 3-6 µm
Body		Brass	White bronze(e.g. Optalloy®)
Dielectric		PTFE	

Dieses Dokument ist urheberrechtlich geschützt • This document is protected by copyright • Rosenberger Hochfrequenztechnik GmbH & Co. KG

RF\_35/05.10/6.0

**Electrical data**

Impedance	50 Ω
Frequency	DC to 12 GHz
Return loss	≥ 36 dB @ DC to 3 GHz ≥ 26 dB @ 3 GHz to 6 GHz
Insertion loss	≤ 0.05 x √ f [GHz] dB
Insulation resistance	≥ 5 GΩ
Center contact resistance	≤ 1.5 mΩ, NEX10 side    ≤ 1.0 mΩ, 4.3-10 side
Outer contact resistance	≤ 1.5 mΩ, NEX10 side    ≤ 1.0 mΩ, 4.3-10 side
Working voltage	500 V rms
RF-leakage	≥ 110 dB @ DC to 6 GHz (tool tightened plugs)
Power handling	100 W @ 2.0 GHz and 85°C ambient temperature
Intermodulation (3 <sup>rd</sup> order)	≥ 166 dBc (2 x 43 dBm) @ 0.4 – 4.0 GHz

**Mechanical data**

	NEX10 side	4.3-10 side
Mating cycles	≥ 100	≥ 100
Recommended torque	1.5 Nm	5 Nm

**Environmental data**

Temperature range	-55 °C to +90 °C operating temperature
Thermal shock	IEC 61169-1 9.4.4
Vibration	IEC 61169-1 9.3.3 and IEC 60068-2-64
Shock	IEC 61169-1 9.3.14
Degree of protection (mated pair)	IEC 60529, IP68 24h / 1m
RoHS	compliant

**Tooling**

N/A

**Suitable cables**

N/A

**Weight**

39.5 g/pc

While the information has been carefully compiled to the best of our knowledge, nothing is intended as representation or warranty on our part and no statement herein shall be construed as recommendation to infringe existing patents. In the effort to improve our products, we reserve the right to make changes judged to be necessary.

Draft	Date	Approved	Date	Rev.	Engineering change number	Name	Date
F. Fraunhofer	19.01.2017	F. Fraunhofer	04.09.19	c00	19-1693	J. Krautenbac	04.09.19
Rosenberger Hochfrequenztechnik GmbH & Co. KG P.O.Box 1260 D-84526 Tittmoning Germany <a href="http://www.rosenberger.de">www.rosenberger.de</a>						Tel. : +49 8684 18-0 Email : <a href="mailto:info@rosenberger.de">info@rosenberger.de</a>	
						Page 2 / 2	

# Mouser Electronics

Authorized Distributor

Click to View Pricing, Inventory, Delivery & Lifecycle Information:

[Rosenberger:](#)

[64K189-K00N1](#)