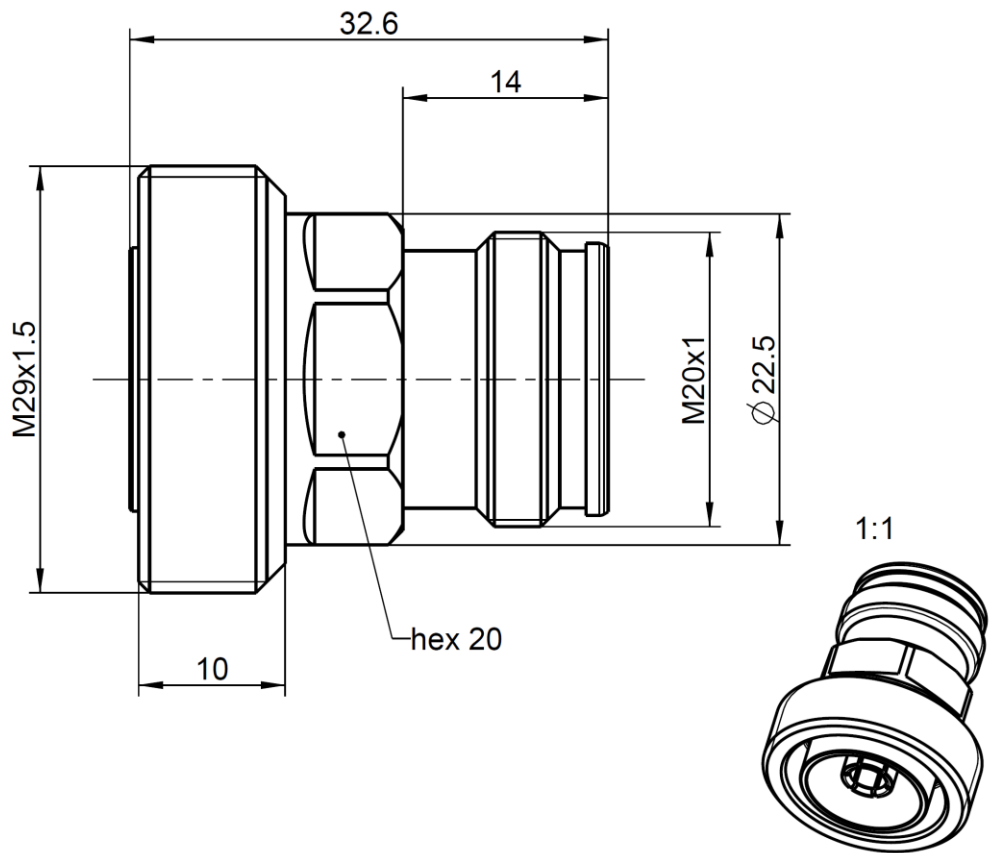


7-16  
4.3-10

Adaptor  
7-16 Jack – 4.3-10 Jack

**60K164-K00N1**



All dimensions are in mm; tolerances according to ISO 2768 m-H

**Interface**

According to 4.3-10 side: IEC 61169-54  
7-16 side: IEC 61169-4, EN 122190, DIN 47223

**Documents**

N/A

**Material and plating**

**Connector parts**

Center contact  
Outer contact  
Body  
Dielectric

**Material**

CuBe  
Brass  
Brass  
PTFE

**Plating**

Silver, 3-6 µm  
Silver, 3-6 µm  
Flash white bronze over silver(e.g. Optargen®)

7-16 Adaptor  
4.3-10 7-16 Jack – 4.3-10 Jack

**60K164-K00N1**

**Electrical data**

Impedance 50 Ω  
 Frequency DC to 7.5 GHz  
 Return loss ≥ 32 dB @ DC to 6 GHz  
 Insertion loss ≤ 0.05 x √ f [GHz] dB  
 Insulation resistance ≥ 5 GΩ  
 Center contact resistance ≤ 1.0 mΩ, 4.3-10 side ≤ 0.4 mΩ, 7-16 side  
 Outer contact resistance ≤ 1.0 mΩ, 4.3-10 side ≤ 1.5 mΩ, 7-16 side  
 Test voltage 2500 V rms  
 Working voltage 500 V rms  
 RF-leakage ≥ 110 dB @ DC to 6 GHz for tool tightened plugs  
 ≥ 90 dB @ DC to 3 GHz for tool-less plugs  
 ≥ 70 dB @ 3 to 6 GHz for tool-less plugs  
 Power handling (at 90 °C, altitude 3000m) 500 W @ 2.0 GHz  
 Intermodulation (3<sup>rd</sup> order) ≥ 160 dBc (2 x 46 dBm) @ 0.4 – 4.0 GHz  
 ≥ 166 dBc (2 x 43 dBm) @ 0.4 – 4.0 GHz

**Mechanical data**

	4.3-10 side	7-16 side
Mating cycles	≥ 100	min. 500
Center contact captivation: axial	≥ 30 N	≥ 200 N
radial	> 5 Ncm	≥ 2 Ncm
Recommended torque	5 Nm	25 to 30 Nm
Engagement force	typ. 100 N	N/A
Disengagement force	typ. 80 N	N/A

**Environmental data**

Temperature range -55 °C to +90 °C operating temperature  
 Thermal shock IEC 61169-1 9.4.4  
 Corrosion resistance ISO 21207 method B  
 Vibration IEC 61169-1 9.3.3 and IEC 60068-2-64  
 Shock IEC 61169-1 9.3.14  
 Degree of protection (mated pair) IEC 60529, IP68 1h / 25m  
 RoHS compliant

**Tooling**

N/A

**Suitable cables**

N/A

**Weight**

Weight 58 g/pce

While the information has been carefully compiled to the best of our knowledge, nothing is intended as representation or warranty on our part and no statement herein shall be construed as recommendation to infringe existing patents. In the effort to improve our products, we reserve the right to make changes judged to be necessary.

For the installation of the electrotechnical equipment, particular electrotechnical expertise is required.



Draft	Date	Approved	Date	Rev.	Engineering change number	Name	Date
Wimmer M.	13.10.16	Chr. Janßen	09.02.21	b00	20-1927	S. Huber-Siegl	09.02.21

Rosenberger Hochfrequenztechnik GmbH & Co. KG  
 P.O.Box 1260 D-84526 Tittmoning Germany  
[www.rosenberger.com](http://www.rosenberger.com)

Tel. : +49 8684 18-0  
 Email : [info@rosenberger.com](mailto:info@rosenberger.com)

Page  
2 / 2

# Mouser Electronics

Authorized Distributor

Click to View Pricing, Inventory, Delivery & Lifecycle Information:

[Rosenberger:](#)

[60K164-K00N1](#)