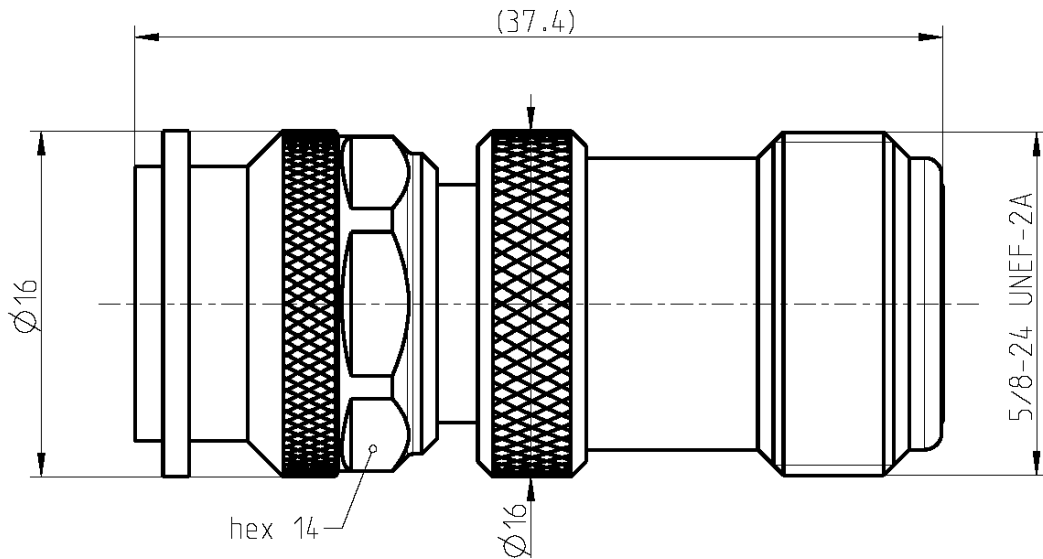
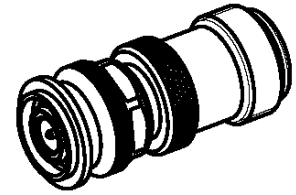


TNC 50 Ω  
N 50 Ω

Adaptor  
TNC 50 Ω Plug –  
N 50 Ω Jack

**56S153-K00N5**



All dimensions are in mm; tolerances according to ISO 2768 m-H

**Interface**

According to	TNC side	IEC 60169-17, MIL-PRF-39012, DIN EN 122200
	N side	IEC 61169-16, MIL-PRF-39012, CECC 22210

**Documents**

N/A

**Material and plating**

**Connector parts**

Center contact TNC and N side  
Outer contact TNC and N side  
Body  
Dielectric  
Gasket

**Material**

CuBe  
Brass  
Brass  
PTFE  
NeopreneCR 50C6

**Plating**

AuroDur®, gold plated  
Flash white bronze over silver(e.g. Optargen®)  
Flash white bronze over silver(e.g. Optargen®)

TNC 50 Ω  
N 50 Ω

Adaptor  
TNC 50 Ω Plug –  
N 50 Ω Jack

**56S153-K00N5**

**Electrical data**

Impedance 50 Ω  
 Frequency DC to 10 GHz  
 Return loss ≥ 35 dB @ DC to 1 GHz  
 ≥ 30 dB @ 1 GHz to 2.5 GHz  
 ≥ 26 dB @ 2.5 GHz to 3 GHz  
 Insertion loss ≤ 0.05 x √ f [GHz] dB, DC to 3 GHz  
 Insulation resistance ≥ 5 GΩ  
 Center contact resistance ≤ 1.5 mΩ TNC side ≤ 1 mΩ N side  
 Outer contact resistance ≤ 1 mΩ TNC side ≤ 0.25 mΩ N side  
 Test voltage (at sea level) 1500 V rms  
 Working voltage (at sea level) 500 V rms  
 Power handling (at 20 °C, sea level, VSWR 1.0) 80 W @ 2 GHz

**Mechanical data**

	TNC side	N side
Mating cycles	≥ 500	≥ 500
Center contact captivation: axial	≥ 28 N	≥ 28 N
Coupling test torque	≤ 1.7 Nm	≤ 1.7 Nm
Recommended torque	0.46 Nm to 0.69 Nm	0.7 Nm to 1.1 Nm

**Environmental data**

Temperature range -55 °C to +155 °C  
 Thermal shock MIL-STD-202, Method 107, Condition B  
 Corrosion MIL-STD-202, Method 101, Condition B  
 Vibration MIL-STD-202, Method 204, Condition B  
 Shock MIL-STD-202, Method 213, Condition G  
 Moisture resistance MIL-STD-202, Method 106  
 RoHS compliant

**Tooling**

N/A

**Suitable cables**

N/A

**Weight**

Weight 33.6 g/pce

While the information has been carefully compiled to the best of our knowledge, nothing is intended as representation or warranty on our part and no statement herein shall be construed as recommendation to infringe existing patents. In the effort to improve our products, we reserve the right to make changes judged to be necessary.

For the installation of the electrotechnical equipment, particular electrotechnical expertise is required.



Draft	Date	Approved	Date	Rev.	Engineering change number	Name	Date
Rong Fang	21.04.05	Chr. Janßen	02.02.21	f00	20-1927	S. Huber-Siegl	02.02.21

Rosenberger Hochfrequenztechnik GmbH & Co. KG  
 P.O.Box 1260 D-84526 Tittmoning Germany  
[www.rosenberger.com](http://www.rosenberger.com)

Tel. : +49 8684 18-0  
 Email : [info@rosenberger.com](mailto:info@rosenberger.com)

Page  
2 / 2

# Mouser Electronics

Authorized Distributor

Click to View Pricing, Inventory, Delivery & Lifecycle Information:

[Rosenberger:](#)

[56S153-K00N5](#)