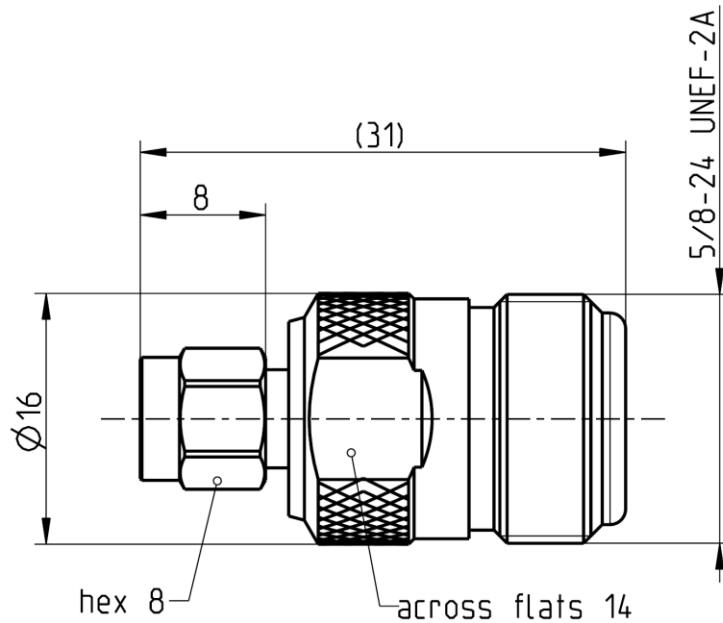


SMA

Adaptor  
SMA Plug – N Jack

**32S153-K00L5**



All dimensions are in mm; tolerances according to ISO 2768 m-H

**Interface**

According to SMA side: IEC 60169-15, EN 122110, MIL-STD-348A, Fig. 310  
N side: IEC 61169-16, MIL-PRF-39012, CECC 22210

**Documents**

N/A

**Material and plating**

**Connector parts**

Center contact  
Outer contact SMA side  
Outer contact N side  
Dielectric  
Gasket  
Coupling nut SMA side

**Material**

CuBe  
CuBe or equiv.  
Brass  
PTFE  
Silicone  
CuBe or equiv.

**Plating**

AuroDur®, gold plated  
AuroDur®, gold plated  
Nickel, 2.5-5  $\mu\text{m}$   
Gold, 0.1  $\mu\text{m}$

Dieses Dokument ist urheberrechtlich geschützt • This document is protected by copyright • Rosenberger Hochfrequenztechnik GmbH & Co. KG

RF\_35/09.14/6.2

SMA

Adaptor  
SMA Plug – N Jack

**32S153-K00L5**

**Electrical data**

Impedance	50 Ω	
Frequency	DC to 11 GHz	
VSWR	≤ 1.05 + 0.005 x f [GHz]	
Insertion loss	≤ 0.04 x √f(GHz) dB	
Insulation resistance	≥ 5 x10 <sup>3</sup> MΩ	
Center contact resistance	≤ 3 mΩ, SMA side	≤ 1 mΩ, N side
Outer contact resistance	≤ 2 mΩ, SMA side	≤ 0.25 mΩ, N side
Test voltage	1000 V rms	
Working voltage	480 V rms	
Power handling (at 20 °C, sea level, VSWR 1.0)	≤ 200 W @ 2 GHz	
RF-leakage	≥ 100 dB up to 1 GHz	

**Mechanical data**

	N side	SMA side
Mating cycles	min. 500	min. 500
Coupling nut retention	N/A	≥ 270 N
Center contact captivation: axial	≥ 28 N	≥ 28 N
Coupling test torque	max. 1.7 Nm	max. 1.7 Nm
Recommended torque	0.7 Nm to 1.1 Nm	0.8 Nm to 1.1 Nm

**Environmental data**

Temperature range	-55°C to +155°C
Thermal shock	MIL-STD-202, Meth. 107, Cond. B
Corrosion	MIL-STD-202, Meth. 101, Cond. B
Vibration	MIL-STD-202, Meth. 204, Cond. D
Shock	MIL-STD-202, Meth. 213, Cond. I
Moisture resistance	MIL-STD-202, Meth. 106
RoHS	compliant

**Tooling**

N/A

**Suitable cables**

N/A

**Weight**

Weight 28.7 g/pce

While the information has been carefully compiled to the best of our knowledge, nothing is intended as representation or warranty on our part and no statement herein shall be construed as recommendation to infringe existing patents. In the effort to improve our products, we reserve the right to make changes judged to be necessary.

For the installation of the electrotechnical equipment, particular electrotechnical expertise is required.



Dieses Dokument ist urheberrechtlich geschützt • This document is protected by copyright • Rosenberger Hochfrequenztechnik GmbH & Co. KG

RF\_35/09.14/6.2

Draft	Date	Approved	Date	Rev.	Engineering change number	Name	Date
Rong Fang	21.09.04	Chr. Janßen	17.11.20	j00	20-1927	S. Huber-Siegl	17.11.20

Rosenberger Hochfrequenztechnik GmbH & Co. KG P.O.Box 1260 D-84526 Tittmoning Germany <a href="http://www.rosenberger.de">www.rosenberger.de</a>	Tel. : +49 8684 18-0 Email : <a href="mailto:info@rosenberger.de">info@rosenberger.de</a>	Page 2 / 2
--	--	---------------

# Mouser Electronics

Authorized Distributor

Click to View Pricing, Inventory, Delivery & Lifecycle Information:

[Rosenberger:](#)

[32S153-K00L5](#)