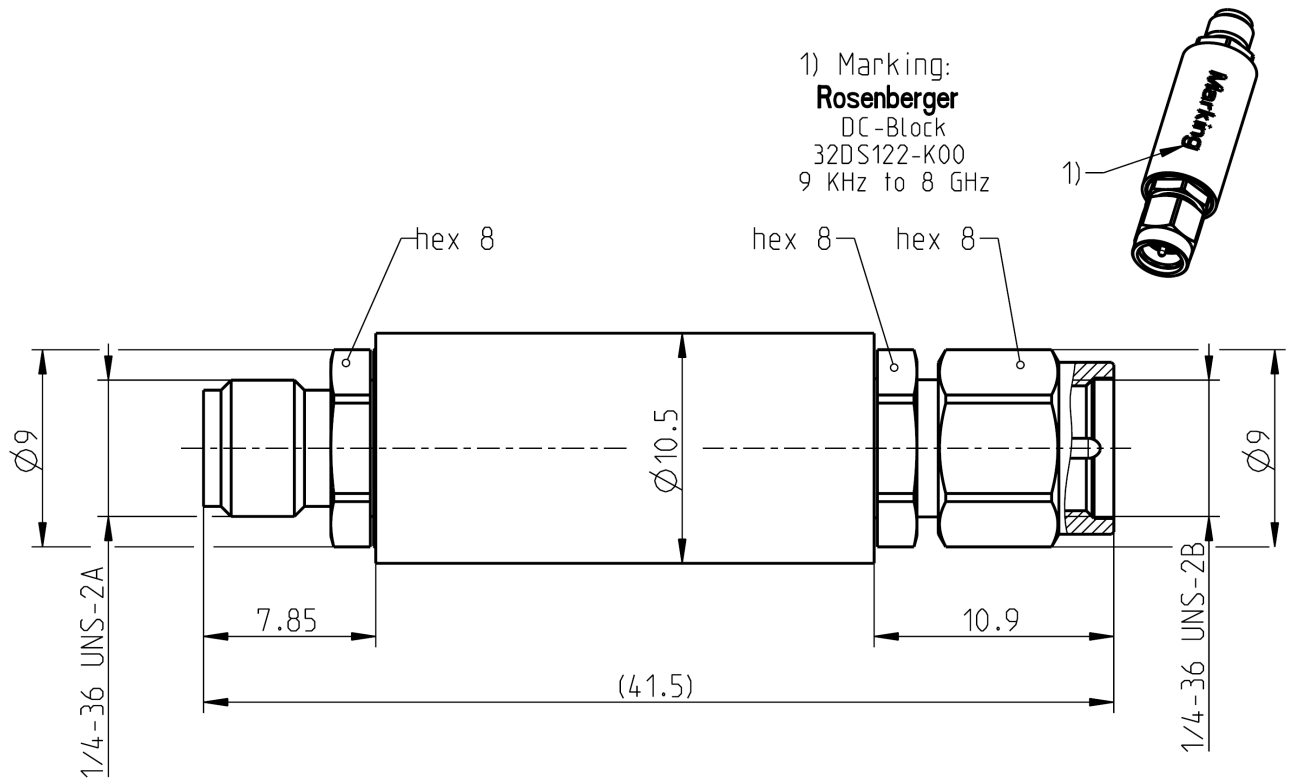


SMA

DC-BLOCK
PLUG / JACK

32DS122-K00L5



All dimensions are in mm; tolerances according to ISO 2768 m-H

Interface

According to IEC 60169-15, EN 122110, MIL-STD-348

Documents

N/A

Material and plating

Connector parts

Center contact
Outer contact
Dielectric
Coupling nut
Gasket

Material

CuBe
Brass
PTFE
Stainless steel
Silicone

Plating

AuroDur®, gold plated
AuroDur®, gold plated
Passivated

Dieses Dokument ist urheberrechtlich geschützt • This document is protected by copyright • Rosenberger Hochfrequenztechnik GmbH & Co. KG

RF_35/05:10/6.0

Technical Data Sheet

Rosenberger

SMA

DC-BLOCK
PLUG / JACK

32DS122-K00L5

Electrical data

Impedance	50 Ω
Frequency	9 KHz to 8 GHz
Return loss	≥ 25 dB, 9 KHz to 1 GHz ≥ 18 dB, 1 GHz to 4 GHz ≥ 15 dB, 4 GHz to 8 GHz
Insertion loss	≤ 1.10 dB, 9 KHz to 8 GHz
Insulation resistance	≥ 5 GΩ
Center contact resistance	≤ 3.0 mΩ
Outer contact resistance	≤ 2.0 mΩ
Working voltage	50 Vdc max.
Capacity	2.25 μF
Block type	Center contact only

Mechanical data

Mating cycles	≥ 500
Coupling nut retention	≥ 180 N
Center contact captivation: axial	≥ 20 N
radial	≥ 1 Ncm
Coupling test torque	1.70 Nm
Recommended torque	0.80 Nm to 1.10 Nm

Environmental data

Temperature range	-45 °C to +85 °C
Thermal shock	MIL-STD-202, Method 107, Condition B
Corrosion	MIL-STD-202, Method 101, Condition B
Vibration	MIL-STD-202, Method 204, Condition D
Shock	MIL-STD-202, Method 213, Condition I
Moisture resistance	MIL-STD-202, Method 106
RoHS	compliant

Tooling

N/A

Suitable cables

N/A

Weight

Weight	16.6 g/pce
--------	------------

While the information has been carefully compiled to the best of our knowledge, nothing is intended as representation or warranty on our part and no statement herein shall be construed as recommendation to infringe existing patents. In the effort to improve our products, we reserve the right to make changes judged to be necessary.

Draft	Date	Approved	Date	Rev.	Engineering change number	Name	Date
Martin Moder	15/10/10	J_Krautenbacher	15.07.16	d00	15-1629	I_Wallner	15.07.16

Rosenberger Hochfrequenztechnik GmbH & Co. KG
P.O.Box 1260 D-84526 Tittmoning Germany
www.rosenberger.de

Tel. : +49 8684 18-0
Email : info@rosenberger.de

Page
2 / 2

Mouser Electronics

Authorized Distributor

Click to View Pricing, Inventory, Delivery & Lifecycle Information:

[Rosenberger:](#)

[32DS122-K00L5](#)