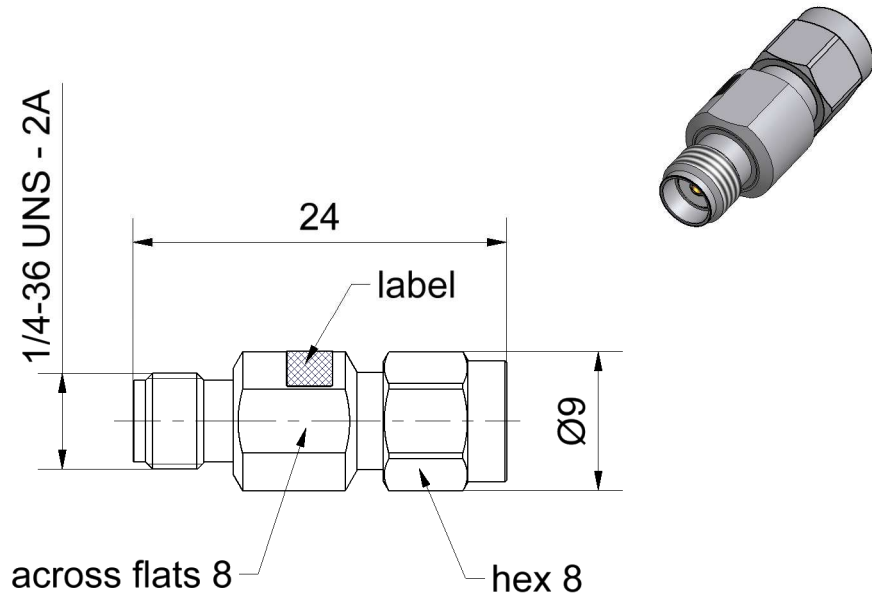


SMA

Attenuator  
Plug/Jack 2 Watt

**32AS102-K40S3**



All dimensions are in mm; tolerances according to ISO 2768 m-H

**Interface**

According to

IEC 60169-15; EN 122110; MIL-STD-348

**Documents**

N/A

**Material and plating**

**Connector parts**

- Center contact - plug
- Outer contact - jack
- Outer contact
- Dielectric
- Substrate

**Material**

- Brass
- CuBe
- Stainless steel
- PTFE
- Al<sub>2</sub>O<sub>3</sub>

**Plating**

- Gold, min. 1.27 µm, over nickel
- Gold, min. 1.27 µm, over nickel
- Passivated

Dieses Dokument ist urheberrechtlich geschützt • This document is protected by copyright • Rosenberger Hochfrequenztechnik GmbH & Co. KG

RF\_35/09;14/6.2

SMA

Attenuator  
Plug/Jack 2 Watt

**32AS102-K40S3**

**Electrical data**

Impedance 50 Ω  
 Frequency DC to 18 GHz  
 Return loss ≥ 23.1 dB, DC to 4 GHz  
 ≥ 19.1 dB, 4 GHz to 12.4 GHz  
 ≥ 16.5 dB, 12.4 GHz to 18 GHz  
 Attenuation 40 dB ± 1.0 dB, DC to 12.4 GHz  
 40 dB ± 1.5 dB, 12.4 GHz to 18 GHz  
 Power handling ≤ 2 W at 25°C

**Mechanical data**

Mating cycles ≥ 500  
 Maximum torque 1.70 Nm  
 Recommended torque 0.90 Nm

**Environmental data**

Temperature range -55°C to +155°C  
 RoHS compliant

**Packing**

Standard 1 pce in bag  
 Weight 6.0 g/pce

While the information has been carefully compiled to the best of our knowledge, nothing is intended as representation or warranty on our part and no statement herein shall be construed as recommendation to infringe existing patents. In the effort to improve our products, we reserve the right to make changes judged to be necessary.

Draft	Date	Approved	Date	Rev.	Engineering change number	Name	Date
Kerstin Herzog	06.12.04	Markus Müller	07.11.16	d00	15-1629	Marion Striegler	07.11.16

Rosenberger Hochfrequenztechnik GmbH & Co. KG P.O.Box 1260 D-84526 Tittmoning Germany www.rosenberger.de	Tel. : +49 8684 18-0 Email : info@rosenberger.de	Page 2 / 2
--	---	---------------

# Mouser Electronics

Authorized Distributor

Click to View Pricing, Inventory, Delivery & Lifecycle Information:

[Rosenberger:](#)

[32AS102-K40S3](#)