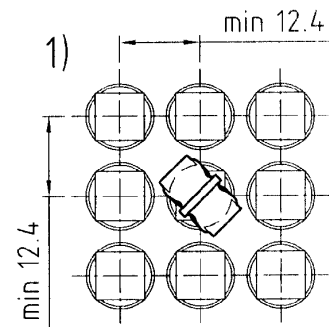


1) Abziehen funktioniert bis zu einem Pitch 12.4 mm
extraction is possible at pitches equal or higher 12.4 millimetres



All dimensions are in mm; tolerances according to ISO 2768 m-H

Application

Series For QMA connectors

Material and plating

Connector parts

Body Material Stainless steel Plating N/A

Weight

Weight 14.2 g/pce

While the information has been carefully compiled to the best of our knowledge, nothing is intended as representation or warranty on our part and no statement herein shall be construed as recommendation to infringe existing patents. In the effort to improve our products, we reserve the right to make changes judged to be necessary.

| | | | | | | | |
|--|----------|-------------------|----------|------|--|-----------|---------------|
| Draft | Date | Approved | Date | Rev. | Engineering change number | Name | Date |
| J. Krautenbacher | 21/07/05 | Sa. Krautenbacher | 13.03.14 | b00 | 14-0352 | T. Krojer | 13.03.14 |
| Rosenberger Hochfrequenztechnik GmbH & Co. KG P.O.Box 1260 D-84526 Tittmoning Germany www.rosenberger.de | | | | | Tel.: +49 8684 18-0 Fax: +49 8684 18-499 email: info@rosenberger.de | | Page 1 / 1 |

Mouser Electronics

Authorized Distributor

Click to View Pricing, Inventory, Delivery & Lifecycle Information:

[Rosenberger:](#)

[28W001-000](#)