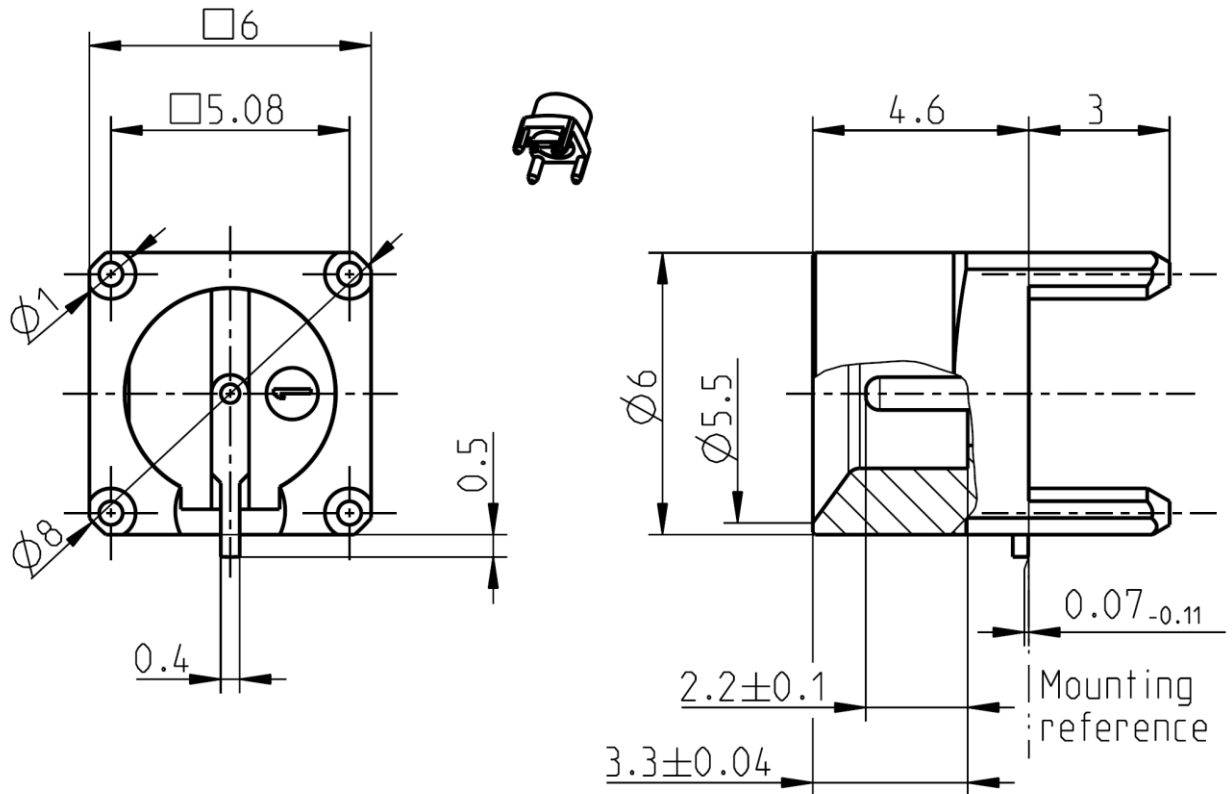


Longwipe-SMP

STRAIGHT PLUG PCB CATCHERS MIT

17S145-40ML5



All dimensions are in mm; tolerances acc. ISO 2768 m-H

Interface

Related to
According to

SMP: MIL-STD-348A, Fig. 326
Rosenberger Longwipe SMP

Documents

Panel piercing
Tape & reel packaging

B 122
VG60.73000

Material and plating

Connector parts

Center contact
Outer contact
Dielectric

Material

Spring bronze
Brass
LCP

Plating

AuroDur®, gold plated
AuroDur®, gold plated

Dieses Dokument ist urheberrechtlich geschützt • This document is protected by copyright • Rosenberger Hochfrequenztechnik GmbH & Co. KG

RF_35/05.10/6.0

Longwipe-SMP

STRAIGHT PLUG PCB CATCHERS MIT

17S145-40ML5

Electrical data

Impedance	50 Ω
Frequency	DC to 6 GHz
Return loss	≥ 28 dB @ DC to 3 GHz ≥ 23 dB @ 3 GHz to 6 GHz
Insertion loss	≤ 0.05 x √f [GHz] dB
Insulation resistance	≥ 5 GΩ
Center contact resistance	≤ 6 mΩ
Outer contact resistance	≤ 2 mΩ
Test voltage (at sea level)	500 V rms
Working voltage (at sea level)	335 V rms
Contact Current	≤ 1.2A DC
Intermodulation (3 rd order)	≥ 150 dBc (2 x 43 dBm)

- Connector only, Return loss in application depends decisive on PCB layout -

Mechanical data

Mating cycles	
if mating part is Smooth bore, Catchers mit	≥ 1000
Center contact captivation	≥ 7 N
Engagement force	
- Smooth bore, Catchers mit	≤ 9 N
Disengagement force	
- Smooth bore, Catchers mit	≥ 2.2 N

Environmental data

Temperature range	-65 °C to +155 °C
Rapid change of temperature (related to SMP)	IEC 60068-2-14 (-65°C to 155°C, 1h dwell, 50 cycles)
Vibration (related to SMP)	MIL-STD-202, Method 204, Condition B
Shock (related to SMP)	MIL-STD-202, Method 213, Condition A
Damp heat (related to SMP)	IEC 60068-2-78 (40°C, 93% RH, 56d)
High temperature endurance	IEC 60169-1, Sub-clause 18 (+155°C, 250 hours)
Max. soldering temperature IEC 61760-1,	+260 °C for 10 sec.

RoHS compliant

Tooling

N/A

Suitable cables

N/A

Weight

Weight 0.7 g/pce.

While the information has been carefully compiled to the best of our knowledge, nothing is intended as representation or warranty on our part and no statement herein shall be construed as recommendation to infringe existing patents. In the effort to improve our products, we reserve the right to make changes judged to be necessary.

For the installation of the electrotechnical equipment, particular electrotechnical expertise is required.



Dieses Dokument ist urheberrechtlich geschützt • This document is protected by copyright • Rosenberger Hochfrequenztechnik GmbH & Co. KG

RF_35/05.10/6.0

Draft	Date	Approved	Date	Rev.	Engineering change number	Name	Date
Rong Fang	09/11/07	Chr. Janßen	14.10.20	g00	20-1927	S. Huber-Siegl	14.10.20

Rosenberger Hochfrequenztechnik GmbH & Co. KG
P.O.Box 1260 D-84526 Tittmoning Germany
www.rosenberger.de

Tel. : +49 8684 18-0
Email : info@rosenberger.de

Page
2 / 2

Mouser Electronics

Authorized Distributor

Click to View Pricing, Inventory, Delivery & Lifecycle Information:

[Rosenberger:](#)

[17S145-40ML5](#)