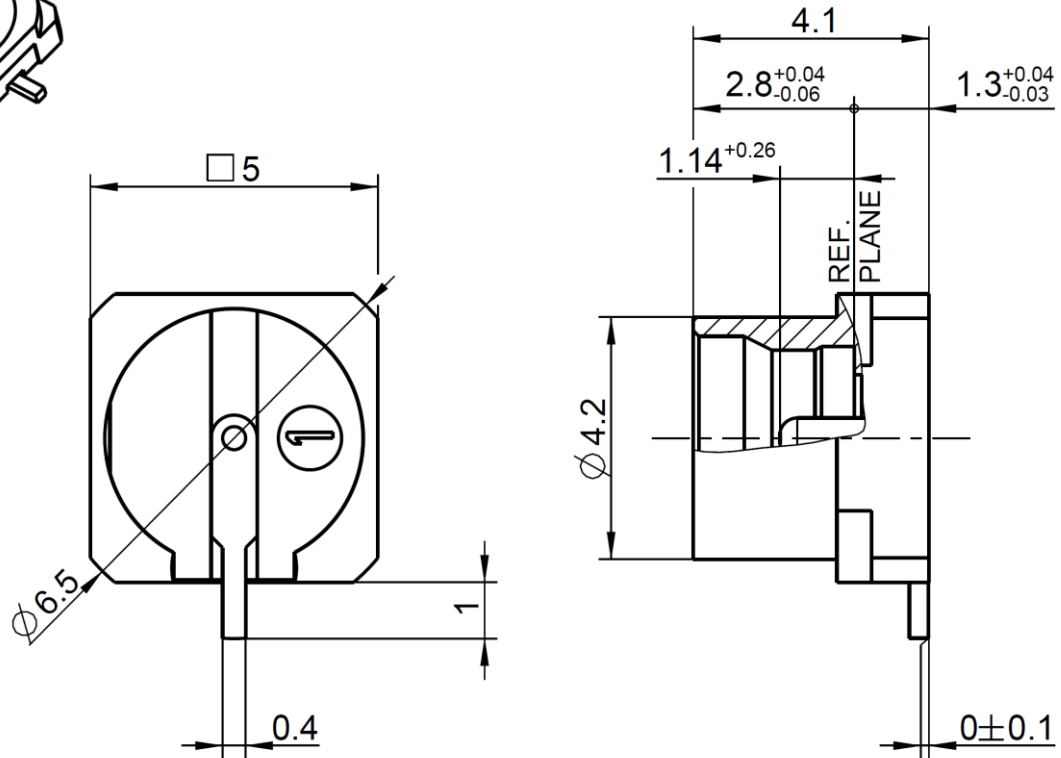
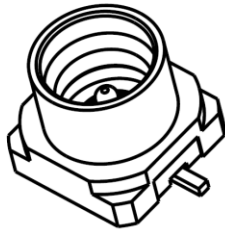


Longwipe-SMP

Straight Plug PCB Limited Detent

17S101-40ML5



All dimensions are in mm; tolerances according to ISO 2768 m-H

Interface

According to Long Wipe SMP Rosenberger 17S000-000

Documents

PCB layout B 120
Tape & reel packaging VG01.01M00

Material and plating

Connector parts

| | |
|----------------|-------|
| Center contact | Brass |
| Outer contact | Brass |
| Dielectric | LCP |

Plating

AuroDur, gold plated
AuroDur, gold plated

Dieses Dokument ist urheberrechtlich geschützt • This document is protected by copyright • Rosenberger Hochfrequenztechnik GmbH & Co. KG

RF_35/09.14/6.2

Technical Data Sheet

Rosenberger

Longwipe-
SMP Straight Plug PCB
 Limited Detent

17S101-40ML5

Electrical data

| | |
|---------------------------|----------------------|
| Impedance | 50 Ω |
| Frequency | DC to 6 GHz |
| Return loss | ≥ 26 dB, DC to 6 GHz |
| Insertion loss | ≤ 0.05 x √f(GHz) dB |
| Insulation resistance | ≥ 5 GΩ |
| Center contact resistance | ≤ 6.0 mΩ |
| Outer contact resistance | ≤ 2.0 mΩ |
| Test voltage | 500 V rms |
| Working voltage | 335 V rms |
| Contact Current | 1.2A DC max. |

- VSWR in application depends decisive on PCB layout -

Mechanical data

| | |
|----------------------------|-----------|
| Mating cycles | ≥ 500 |
| Center contact captivation | ≥ 7 N |
| Engagement force | |
| - limited detent | 45 N max. |
| Disengagement force | |
| - limited detent | 9 N min. |

Environmental data

| | |
|----------------------------|--------------------------------------|
| Temperature range | -65°C to +155°C |
| Thermal shock | MIL-STD-202, Method 107, Condition B |
| Vibration | MIL-STD-202, Method 204, Condition B |
| Shock | MIL-STD-202, Method 213, Condition A |
| Moisture resistance | MIL-STD-202, Method 106 |
| Max. soldering temperature | IEC 61760-1, +260°C for 10 sec. |
| RoHS | compliant |

Tooling

N/A

Suitable cables

N/A

Weight

Weight 0.3 g/pce

While the information has been carefully compiled to the best of our knowledge, nothing is intended as representation or warranty on our part and no statement herein shall be construed as recommendation to infringe existing patents. In the effort to improve our products, we reserve the right to make changes judged to be necessary.

For the installation of the electrotechnical equipment, particular electrotechnical expertise is required.



| Draft | Date | Approved | Date | Rev. | Engineering change number | Name | Date |
|--|----------|-------------|----------|------|---------------------------|--|---------------|
| Gramsamer Josef | 17.11.09 | Chr. Janßen | 20.10.20 | d00 | 20-1927 | S. Huber-Siegl | 20.10.20 |
| Rosenberger Hochfrequenztechnik GmbH & Co. KG P.O.Box 1260 D-84526 Tittmoning Germany www.rosenberger.de | | | | | | Tel. : +49 8684 18-0 Email : info@rosenberger.de | |
| | | | | | | | Page 2 / 2 |

Mouser Electronics

Authorized Distributor

Click to View Pricing, Inventory, Delivery & Lifecycle Information:

[Rosenberger:](#)

[17S101-40ML5](#)