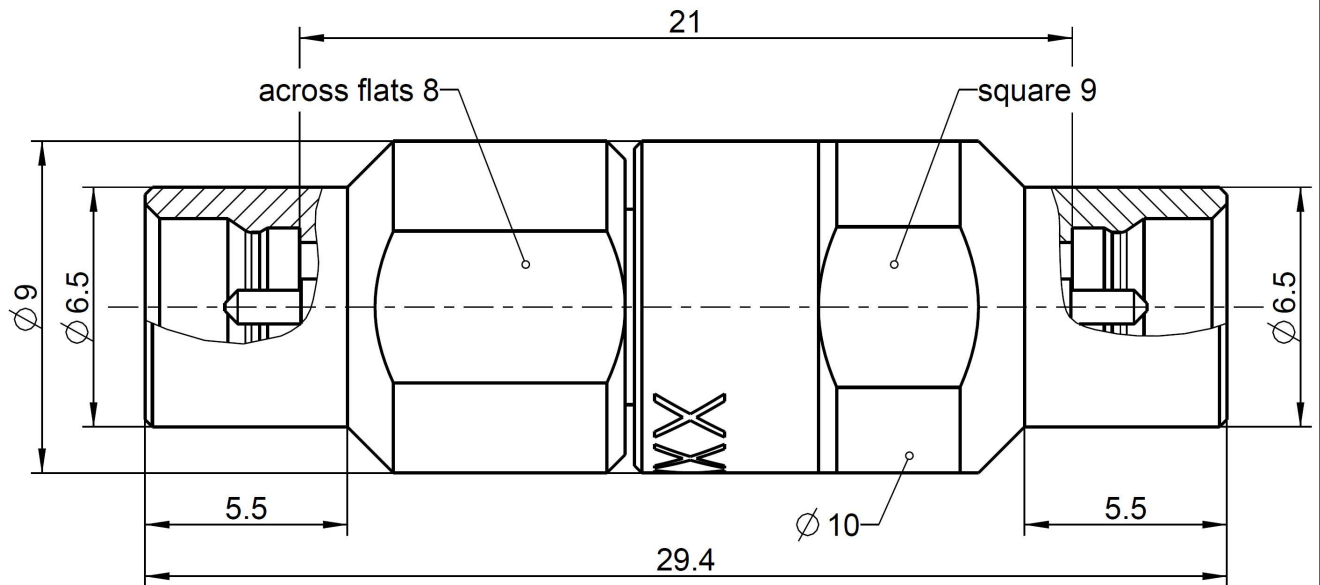
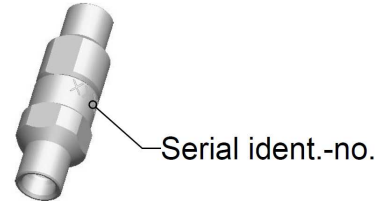


P-SMP

Calibration Adaptor
Plug full detent / Plug full detent

119S101-S20D3



All dimensions are in mm; tolerances according to ISO 2768 m-H

Interface

According to Rosenberger P-SMP

Documents

Application note AN001 "Calibration Services"

Material and plating

Connector parts

| | | |
|------------------|-------------------------|---|
| Center conductor | Material CuBe | Plating Gold, min. 1.27 µm, over nickel |
| Outer conductor | CuBe or equiv. | Gold, min. 1.27 µm, over nickel |
| Dielectric | PS | |

Dieses Dokument ist urheberrechtlich geschützt • This document is protected by copyright • Rosenberger Hochfrequenztechnik GmbH & Co. KG

RF_35/05.10/6.0

Electrical data

| | |
|-----------------|--|
| Frequency range | DC to 10 GHz |
| Return loss | ≥ 30 dB, DC to 4 GHz ≥ 26 dB, 4 GHz to 10 GHz |

Mechanical data

| | |
|---------------------|--------------------|
| Mating cycles | ≥ 100 |
| Engagement force | |
| - Full detent | 68 N |
| Disengagement force | |
| - Full detent | 25 N |
| Gauge | 0.00 mm to 0.08 mm |

General standard definition

For proper operation the vector network analyzer (VNA) needs a model describing the electrical behaviour of this calibration standard. The different models, units, and terms used will depend on the VNA type and they will have to be entered into the VNA. All values are based on typical geometry and plating.

| | |
|-------------------------------------|--------------------------------|
| Offset Z_o / Impedance / Z_o | 50 Ω |
| Offset Delay | 71.6899 ps |
| Length (electrical) / Offset Length | 21.50 mm |
| Offset Loss | 2.51 G Ω /s |
| Loss | 0.0156 dB/ $\sqrt{\text{GHz}}$ |

Environmental data

| | |
|---|------------------|
| Operating temperature range ¹ | +20 °C to +26 °C |
| Rated temperature range of use ² | 0 °C to +50 °C |
| Storage temperature range | -40 °C to +85 °C |

RoHS compliant

¹ Temperature range over which these specifications are valid.

² This range is underneath and above the operating temperature range, within the calibration adaptor is fully functional and could be used without damage.

Declaration of calibration options

Factory Calibration

Standard delivery for this calibration standard includes a Factory Calibration. The Calibration Certificate issued reports individual calibration results, **traceable to Rosenberger standards**, national / international standards are not available. Model based standard definitions are reported in an Agilent/Keysight, Rohde & Schwarz and Anritsu compatible VNA format.

Accredited Calibration

Not available.

For further, more detailed information see application note AN001 on the Rosenberger homepage.

Calibration interval

Recommendation 12 months

Packing

Standard 1 pce in box
Weight 10.3 g/pce

While the information has been carefully compiled to the best of our knowledge, nothing is intended as representation or warranty on our part and no statement herein shall be construed as recommendation to infringe existing patents. In the effort to improve our products, we reserve the right to make changes judged to be necessary.

Dieses Dokument ist urheberrechtlich geschützt • This document is protected by copyright • Rosenberger Hochfrequenztechnik GmbH & Co. KG

RF_35/05.10/6.0

| Draft | Date | Approved | Date | Rev. | Engineering change number | Name | Date |
|--|----------|------------------|----------|------|---------------------------|--|---------------|
| O. Krautenbacher | 20/11/12 | Herbert Babinger | 25/04/16 | d00 | 14-1492 | M.Ruf | 25/04/16 |
| Rosenberger Hochfrequenztechnik GmbH & Co. KG P.O.Box 1260 D-84526 Tittmoning Germany www.rosenberger.de | | | | | | Tel. : +49 8684 18-0 Email : info@rosenberger.de | |
| | | | | | | | Page 3 / 3 |

Mouser Electronics

Authorized Distributor

Click to View Pricing, Inventory, Delivery & Lifecycle Information:

[Rosenberger:](#)

[119S101-S20D3](#)