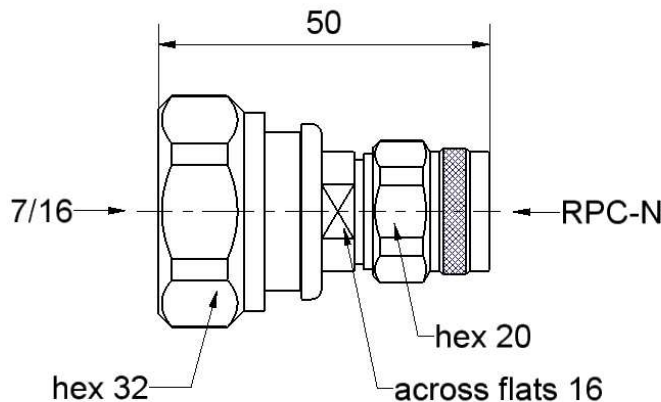
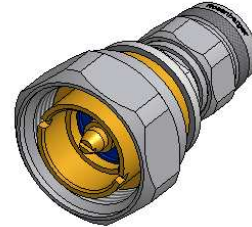


Adaptor
RPC-N 50Ω Plug – 7/16 50Ω Plug

05S160-S50D3



All dimensions are in mm; tolerances according to ISO 2768 m-H

Interface

According to – 7/16 side
According to – RPC-N side

IEC 60169-4, VG 95250, EN 122190, DIN 47223
IEC 60169-16 ; CECC 22 210 ; MIL-STD 348 A/402

Documents

N/A

Material and plating

Connector parts

Center contact
Outer contact – 7/16 side
Outer contact – RPC-N side
Body
Coupling nut – 7/16 side
Coupling nut – RPC-N side
Dielectric

Material

Brass
Brass
Stainless steel
Brass
Brass
Stainless steel
PPE

Plating

Gold, min. 1.27 µm, over nickel
Gold, min. 1.27 µm, over nickel
Passivated
Flash white bronze over silver(e.g. Optargen®)
White bronze(e.g. Optalloy®)
Passivated

Dieses Dokument ist urheberrechtlich geschützt • This document is protected by copyright • Rosenberger Hochfrequenztechnik GmbH & Co. KG

RF_35/05:10/6.0

Technical Data Sheet

Rosenberger

Adaptor
RPC-N 50Ω Plug – 7/16 50Ω Plug

05S160-S50D3

Electrical data

| | | |
|---------------------------|---|----------------------|
| Impedance | 50 Ω | |
| Frequency | DC to 8 GHz | |
| Return loss | ≥ 36 dB, DC to 4 GHz ≥ 33 dB, 4 GHz to 8 GHz | |
| Center contact resistance | ≤ 4.0 mΩ, 7/16 side | ≤ 1.0 mΩ, RPC-N side |
| Outer contact resistance | ≤ 1.5 mΩ, 7/16 side | ≤ 1.0 mΩ, RPC-N side |

Mechanical data

| | | |
|----------------------------|-----------------------|------------------------|
| Mating cycles | 7/16 side min. 500 | RPC-N side min. 500 |
| Center contact captivation | ≥ 200 N | ≥ 28 N |
| Coupling test torque | max. 35 Nm | max. 1.70 Nm |
| Recommended torque | 25 to 30 Nm | 0.70 to 1.10 Nm |
| Coupling nut retention | ≥ 1000 N | ≥ 450 N |

Environmental data

| | |
|-------------------|----------------|
| Temperature range | -40°C to +85°C |
| 2002/95/EC (RoHS) | compliant |

Tooling

N/A

Suitable cables

N/A

Packing

| | |
|----------|--------------|
| Standard | 1 pce in bag |
| Weight | 115 g/pce |

While the information has been carefully compiled to the best of our knowledge, nothing is intended as representation or warranty on our part and no statement herein shall be construed as recommendation to infringe existing patents. In the effort to improve our products, we reserve the right to make changes judged to be necessary.

| Draft | Date | Approved | Date | Rev. | Engineering change number | Name | Date |
|----------------|----------|-----------------|----------|------|---------------------------|------------------|----------|
| Kerstin Herzog | 10/07/06 | Andreas Burkert | 16/01/12 | f00 | 12-0033 | Marion Striegler | 16/01/12 |

| | | |
|--|---|---------------|
| Rosenberger Hochfrequenztechnik GmbH & Co. KG P.O.Box 1260 D-84526 Tittmoning Germany www.rosenberger.de | Tel. : +49 8684 18-0 Fax : +49 8684 18-499 Email : info@rosenberger.de | Page 2 / 2 |
|--|---|---------------|

Mouser Electronics

Authorized Distributor

Click to View Pricing, Inventory, Delivery & Lifecycle Information:

[Rosenberger:](#)

[05S160-S50D3](#)