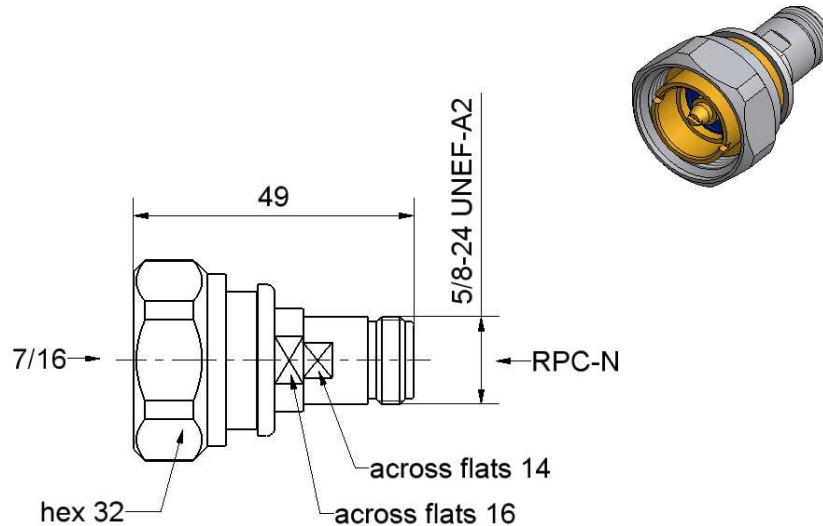


Adaptor  
RPC-N 50Ω Jack – 7/16 50Ω Plug

**05K160-S50D3**



All dimensions are in mm; tolerances according to ISO 2768 m-H

**Interface**

According to – 7/16 side  
According to – RPC-N side

IEC 60169-4, VG 95250, EN 122190, DIN 47223  
IEC 60169-16 ; CECC 22 210 ; MIL-STD 348 A/402

**Documents**

N/A

**Material and plating**

**Connector parts**

Center contact – 7/16 side  
Center contact – RPC-N side  
Outer contact – 7/16 side  
Outer contact – RPC-N side  
Body  
Coupling nut – 7/16 side  
Dielectric

**Material**

Brass  
Beryllium copper  
Brass  
Stainless steel  
Brass  
Brass  
PPE

**Plating**

Gold, min. 1.27 µm, over nickel  
Gold, min. 1.27 µm, over nickel  
Gold, min. 1.27 µm, over nickel  
Passivated  
Flash white bronze over silver(e.g. Optargen®)  
White bronze(e.g. Optalloy®)

Dieses Dokument ist urheberrechtlich geschützt • This document is protected by copyright • Rosenberger Hochfrequenztechnik GmbH & Co. KG

RF\_35/05:10/6.0

# Technical Data Sheet

# Rosenberger

Adaptor  
RPC-N 50Ω Jack – 7/16 50Ω Plug

## 05K160-S50D3

### Electrical data

Impedance	50 Ω	
Frequency	DC to 8 GHz	
Return loss	≥ 36 dB, DC to 4 GHz ≥ 33 dB, 4 GHz to 8 GHz	
Center contact resistance	≤ 4.0 mΩ, 7/16 side	≤ 1.0 mΩ, RPC-N side
Outer contact resistance	≤ 1.5 mΩ, 7/16 side	≤ 1.0 mΩ, RPC-N side

### Mechanical data

Mating cycles	7/16 side min. 500	RPC-N side min. 500
Center contact captivation	≥ 200 N	≥ 28 N
Coupling test torque	max. 35 Nm	max. 1.70 Nm
Recommended torque	25 to 30 Nm	0.70 to 1.10 Nm
Coupling nut retention	≥ 1000 N	N/A

### Environmental data

Temperature range	-40°C to +85°C
2002/95/EC (RoHS)	compliant

### Tooling

N/A

### Suitable cables

N/A

### Packing

Standard	1 pce in bag
Weight	110 g/pce

While the information has been carefully compiled to the best of our knowledge, nothing is intended as representation or warranty on our part and no statement herein shall be construed as recommendation to infringe existing patents. In the effort to improve our products, we reserve the right to make changes judged to be necessary.

Draft	Date	Approved	Date	Rev.	Engineering change number	Name	Date
Kerstin Herzog	10/07/06	Andreas Burkert	16/01/12	f00	12-0033	Marion Striegler	16/01/12

Rosenberger Hochfrequenztechnik GmbH & Co. KG P.O.Box 1260 D-84526 Tittmoning Germany <a href="http://www.rosenberger.de">www.rosenberger.de</a>	Tel. : +49 8684 18-0 Fax : +49 8684 18-499 Email : <a href="mailto:info@rosenberger.de">info@rosenberger.de</a>	Page 2 / 2
--	---	---------------

# Mouser Electronics

Authorized Distributor

Click to View Pricing, Inventory, Delivery & Lifecycle Information:

[Rosenberger:](#)

[05K160-S50D3](#)