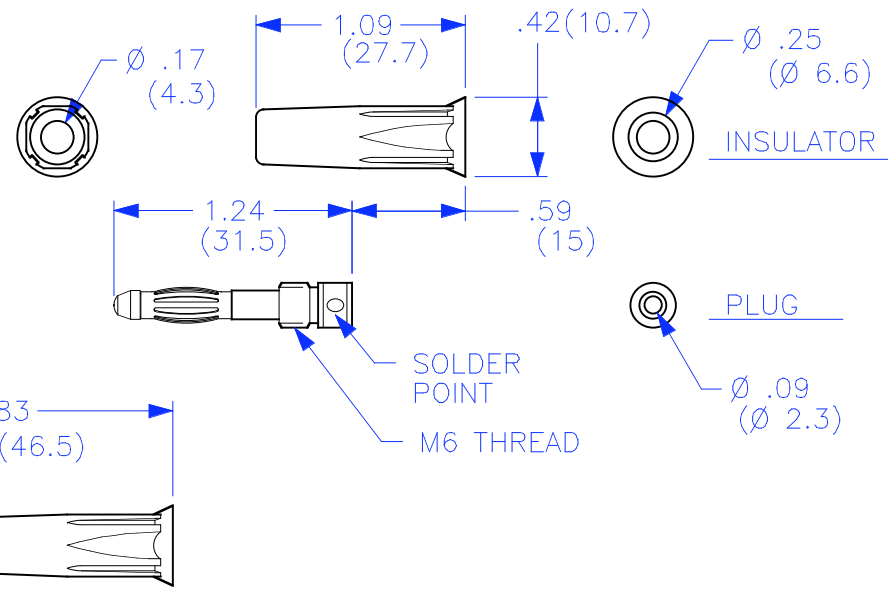


THIS IS ISSUED IN STRICT CONFIDENCE THAT IT IS NOT USED AS A BASIS FOR MANUFACTURE OR SALE AND THAT IT IS NOT COPIED, REPRINTED OR DISCLOSED TO A THIRD PARTY EITHER WHOLLY OR IN PART WITHOUT THE PRIOR WRITTEN CONSENT OF CAL TEST ELECTRONICS, INC.

REVISIONS			
REV.	DESCRIPTIONS	DATE	APPROVED
—	CLASS A RELEASED	7/11/99	

- DO-IT-YOURSELF (DIY) 4mm IN-LINE PLUG, SOLDER ATTACHMENT.
- SPECIFICATIONS:  
 INSULATOR BODY: POLYAMIDE (NYLON)  
 PLUG BODY: BRASS, NICKEL PLATED  
 SPRING CONTACT: BRONZE-BERYLLIUM, NICKEL PLATED
- RATING:  
 VOLTAGE: 1,200V AC/DC  
 CURRENT: 36A MAX.  
 TEMPERATURE: -20° C TO +80° C.
- MAXIMUM WIRE SIZES:  
 CONDUCTOR:  $\varnothing$ .090 (12AWG)  
 STRIP LENGTH: .25 (6.4)



**PART NUMBER**

**CT2002-#**

- COLOR:
- 0 — BLACK
  - 2 — RED
  - 4 — YELLOW
  - 5 — GREEN
  - 6 — BLUE
  - 9 — WHITE

ASSEMBLED

THIRD ANGLE PROJECTION		UNLESS OTHERWISE SPECIFIED DIMENSIONS ARE IN INCHES TOLERANCES ARE: FRACTIONS DECIMALS $\pm 1/32$ .XX $\pm$ .02 .XXX $\pm$ .005 DO NOT SCALE DRAWING	CONTRACT NO.		<b>Cal Test Electronics</b> 22820 Savi Ranch Parkway Yorba Linda, CA 92887-4610				
			APPROVALS	DATE	TITLE				
NEXT ASSY		MATERIAL	DRAWN	WDH	7/11/99	DIY 4mm PLUG, SOLDER			
USED ON		FINISH	CHECKED	ENGR.	DESIGN ACTIVITY	SIZE	CAGE CODE	DWG. NO.	REV.
APPLICATION						A	43F45	P200200	—
						SCALE	1:1	SHEET	1 OF 1

# Mouser Electronics

Authorized Distributor

Click to View Pricing, Inventory, Delivery & Lifecycle Information:

[Cal Test Electronics:](#)

[CT2002-0](#) [CT2002-2](#) [CT2002-6](#) [CT2002-4](#) [CT2002-5](#) [CT2002-9](#)