

## High Performance Digital Power Factor Correction Controller for AC/DC Power Supplies

### 1 Description

The iW2206 is a high-performance boost controller for AC/DC power supplies that need power factor correction. The device operates in transition mode and can support up to 250W of output power from a tiny SOT23-6 package.

The iW2206 tightly regulates the output DC bus voltage across AC line and load conditions. The digital control eliminates the need for external loop compensation while maintaining stability across all operating conditions. With Dialog's patented PF-Boost™ technology, the iW2206 can achieve power factor (PF) greater than 0.9 and total harmonic distortion (THD) less than 20% at loads from 33% of nominal load to full load and across the entire AC line voltage range.

The iW2206 by itself can achieve less than 150mW standby power in applications up to 100W. This eliminates the burden to turn-off the PFC stage for no-load standby in many applications. Audible noise during load transient and during startup is minimized by the device's adaptive current limit and with the advanced startup control, the PFC ready time is less than 0.2s. The iW2206 output DC bus voltage level is user-configurable to support either "following AC input voltage" or "fixed" for different application needs.

The iW2206 also features various protections such as output over-voltage, over-power, AC over-voltage, AC under-voltage, current-sense-resistor short, over-current, loop-open and over-temperature protection. This ensures robust and reliable system performance.

### 2 Features

- Universal AC input voltage range  $90V_{AC} \sim 305V_{AC}$
- Supports up to 250W output power in tiny SOT-23-6 package
- AC line and load regulation  $< \pm 3\%$
- $PF > 0.9$  and  $THD < 20\%$  across AC line voltage when  $> 33\%$  of full load
- Fast PFC ready time  $< 0.2s$
- Standby power  $< 150mW$  at  $230V_{AC}$  input up to 100W
- Minimum audible noise across AC line and load condition, and during load transient or startup
- Configurable output DC bus voltage
- Wide operating supply voltage ( $V_{VCC}$ ) range from 8.0V to 20V
- Comprehensive protection features
  - » Output over-voltage protection
  - » Output over-power protection
  - » AC over-voltage protection
  - » AC under-voltage protection (Brown-out)
  - » Cycle-by-cycle peak current limit
  - » Loop-open protection
  - » Current-sense-resistor short protection
  - » Over-temperature protection

### 3 Applications

- Two-stage LED lighting drivers
- Two-stage adapters, AC/DC power supplies

High Performance Digital Power Factor Correction Controller for AC/DC Power Supplies

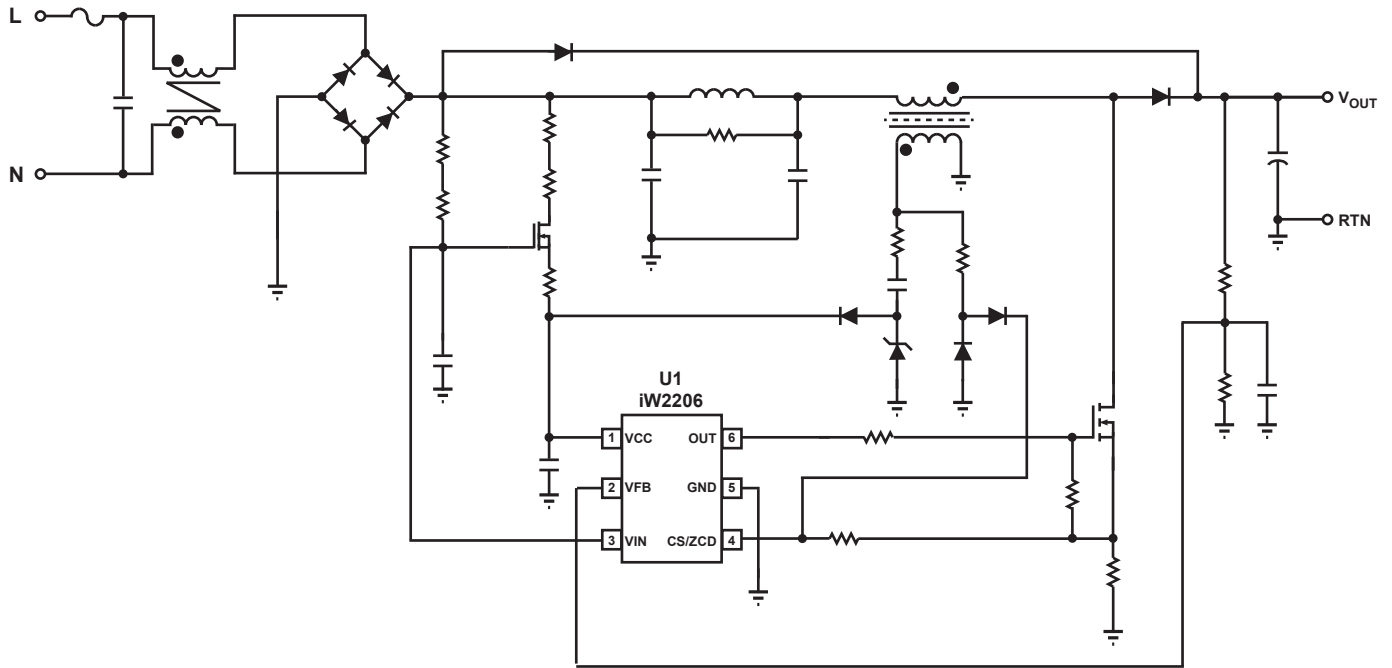


Figure 3.1 : iW2206 PFC Boost Application Circuit

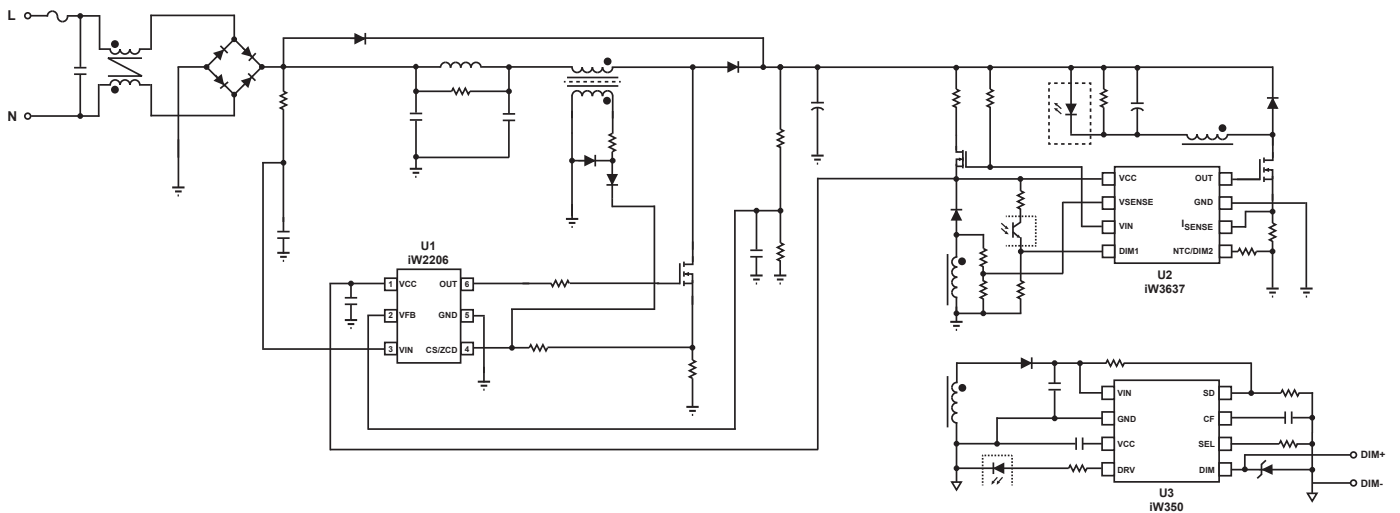


Figure 3.2 : iW2206 Application for Non-Isolated 2-stage Dimmable LED Driver with iW3637 and iW350

High Performance Digital Power Factor Correction Controller for AC/DC Power Supplies

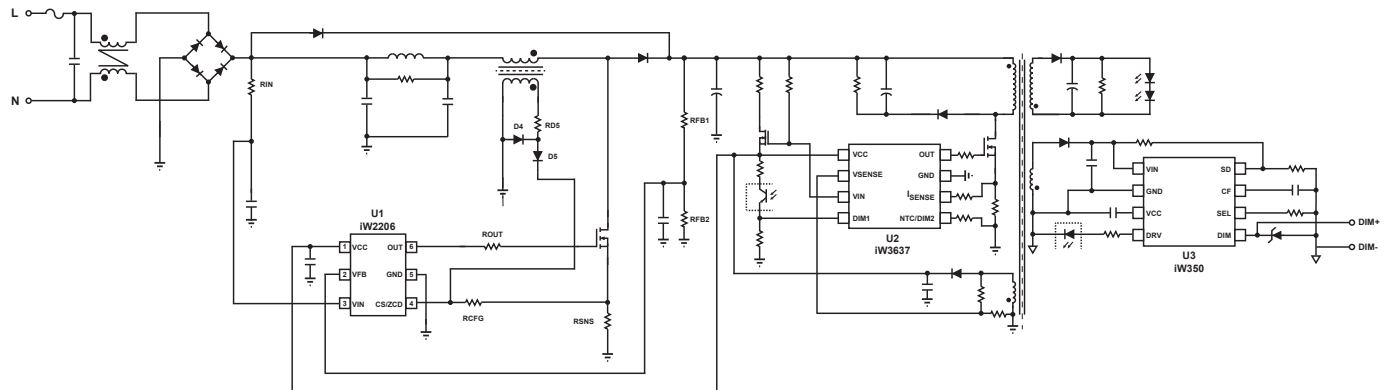


Figure 3.3 : iW2206 Application for Isolated 2-stage Dimmable LED Driver with the iW3637 and the iW350

## High Performance Digital Power Factor Correction Controller for AC/DC Power Supplies

### 4 Pinout Description

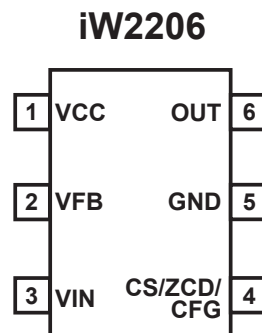


Figure 4.1 : 6-Lead SOT23 Package

Pin Number	Pin Name	Type	Pin Description
1	VCC	Power Input	IC power supply.
2	VFB	Analog Input	Output DC bus voltage sense.
3	VIN	Analog Input	Input AC line voltage sense.
4	CS/ZCD/CFG	Analog Input	Power MOSFET current sense, inductor reset sense and configuration.
5	GND	Ground	Ground reference.
6	OUTPUT	Analog Output	Power MOSFET gate drive.

## High Performance Digital Power Factor Correction Controller for AC/DC Power Supplies

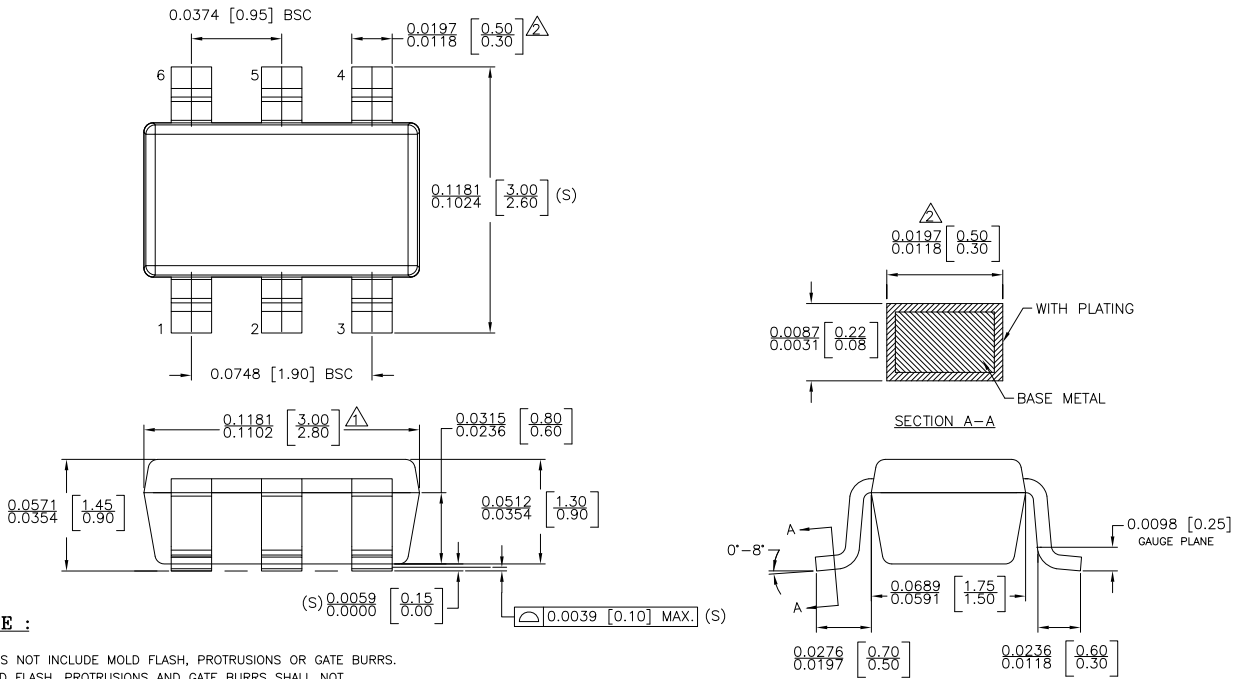
### 5 Absolute Maximum Ratings

Absolute maximum ratings are the parameter values or ranges which can cause permanent damage if exceeded. For maximum safe operating conditions, refer to Electrical Characteristics in Section 6.

Parameter	Symbol	Value	Units
DC supply voltage range (pin 1, $I_{VCC} = 20\text{mA max}$ )	$V_{VCC}$	-0.3 to 22.0	V
Continuous DC supply current at VCC pin ( $V_{VCC} = 15\text{V}$ )	$I_{VCC}$	20	mA
$V_{VIN}$ (pin 3)		-0.3 to 20.0	V
OUTPUT (pin 6)		-0.3 to 20.0	V
$V_{VFB}$ (pin 2, $I_{FB} \leq 10\text{mA}$ )		-0.7 to 5.0	V
CS/ZCD/CFG input (pin 4)		-0.3 to 5.0	V
Maximum junction temperature	$T_{JMAX}$	150	°C
Operating junction temperature	$T_{JOPT}$	-40 to 150	°C
Storage temperature	$T_{STG}$	-65 to 150	°C
Thermal resistance junction-to-ambient	$\theta_{JA}$	190	°C/W
ESD rating per JEDEC JS-001-2017		$\pm 2,000$	V
Latch-up test per JESD78E		$\pm 100$	mA

High Performance Digital Power Factor Correction Controller for AC/DC Power Supplies

6 Physical Dimensions



NOTE :

- △ DOES NOT INCLUDE MOLD FLASH, PROTRUSIONS OR GATE BURRS. MOLD FLASH, PROTRUSIONS AND GATE BURRS SHALL NOT EXCEED 0.127 MM PER SIDE.
- △ DOES NOT INCLUDE INTER-LEAD FLASH OR PROTRUSIONS. INTER-LEAD FLASH AND PROTRUSIONS SHALL NOT EXCEED 0.127 MM PER SIDE.
- 3. DIE IS FACING UP FOR MOLD. DIE IS FACING DOWN FOR TRIM/FORM.
- 4. THIS PART IS COMPLIANT WITH EIA/J SPECIFICATION SC74A AND JEDEC SPECIFICATION MO-178AB.
- 5. LEAD SPAN/STAND OFF HEIGHT/COPLANARITY ARE CONSIDERED AS SPECIAL CHARACTERISTIC(S).
- 6. CONTROLLING DIMENSIONS IN INCHES. [mm]

STATUS: RELEASED		SCALE: DO NOT SCALE	
TERMINAL FINISH: 100% Sn or NiPdAu (PPF)			
TITLE: 6 SOT23 PACKAGE OUTLINE			
REV: A	REVISION NOTE: NEW DRAWING	DATE: 02-MAR-2015	

7 Ordering Information

Part Number	Description	Package	Description
iW2206-00	Optimized for gate driver with diode pull down	SOT-23	Tape & Reel <sup>1</sup>
iW2206-10	Optimized for gate driver with bipolar PNP pull down	SOT-23	Tape & Reel <sup>1</sup>
iW2206-11	Supports up to 347V <sub>AC</sub> input voltage	SOT-23	Tape & Reel <sup>1</sup>
iW2206-20	Disabled Output OVP, OPP and standby mode for CC applications	SOT-23	Tape & Reel <sup>1</sup>

Note 1: Tape & Reel packing quantity is 3,000/reel. Minimum packing quantity is 3,000.

## High Performance Digital Power Factor Correction Controller for AC/DC Power Supplies

### IMPORTANT NOTICE AND DISCLAIMER

RENESAS ELECTRONICS CORPORATION AND ITS SUBSIDIARIES (“RENESAS”) PROVIDES TECHNICAL SPECIFICATIONS AND RELIABILITY DATA (INCLUDING DATASHEETS), DESIGN RESOURCES (INCLUDING REFERENCE DESIGNS), APPLICATION OR OTHER DESIGN ADVICE, WEB TOOLS, SAFETY INFORMATION, AND OTHER RESOURCES “AS IS” AND WITH ALL FAULTS, AND DISCLAIMS ALL WARRANTIES, EXPRESS OR IMPLIED, INCLUDING, WITHOUT LIMITATION, ANY IMPLIED WARRANTIES OF MERCHANTABILITY, FITNESS FOR A PARTICULAR PURPOSE, OR NON-INFRINGEMENT OF THIRD PARTY INTELLECTUAL PROPERTY RIGHTS.

These resources are intended for developers skilled in the art designing with Renesas products. You are solely responsible for (1) selecting the appropriate products for your application, (2) designing, validating, and testing your application, and (3) ensuring your application meets applicable standards, and any other safety, security, or other requirements. These resources are subject to change without notice. Renesas grants you permission to use these resources only for development of an application that uses Renesas products. Other reproduction or use of these resources is strictly prohibited. No license is granted to any other Renesas intellectual property or to any third party intellectual property. Renesas disclaims responsibility for, and you will fully indemnify Renesas and its representatives against, any claims, damages, costs, losses, or liabilities arising out of your use of these resources. Renesas’ products are provided only subject to Renesas’ Terms and Conditions of Sale or other applicable terms agreed to in writing. No use of any Renesas resources expands or otherwise alters any applicable warranties or warranty disclaimers for these products.

© 2022 Renesas Electronics Corporation. All rights reserved.

### RoHS Compliance

Dialog Semiconductor’s suppliers certify that its products are in compliance with the requirements of Directive 2011/65/EU of the European Parliament on the restriction of the use of certain hazardous substances in electrical and electronic equipment. RoHS certificates from our suppliers are available on request.

(Rev.1.0 Mar 2020)

### Corporate Headquarters

TOYOSU FORESIA, 3-2-24 Toyosu  
Koto-ku, Tokyo 135-0061, Japan  
[www.renesas.com](http://www.renesas.com)

### Contact Information

For further information on a product, technology, the most up-to-date version of a document, or your nearest sales office, please visit:  
[www.renesas.com/contact/](http://www.renesas.com/contact/)

### Trademarks

Renesas and the Renesas logo are trademarks of Renesas Electronics Corporation. All trademarks and registered trademarks are the property of their respective owners.

# Mouser Electronics

Authorized Distributor

Click to View Pricing, Inventory, Delivery & Lifecycle Information:

[Dialog Semiconductor:](#)

[IW2206-00](#) [IW2206-10](#)