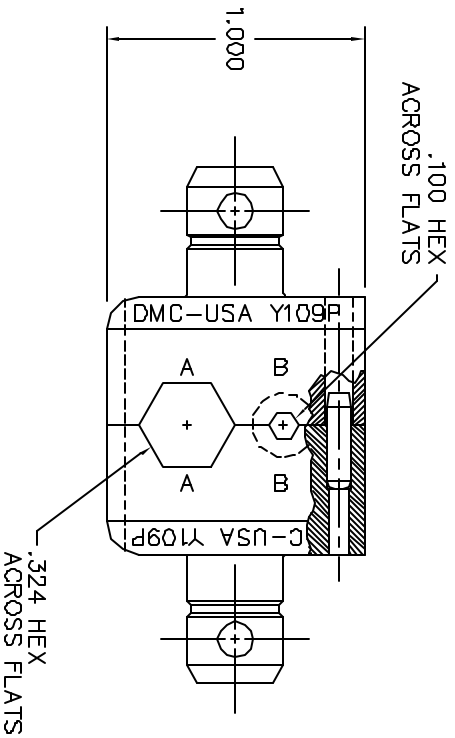
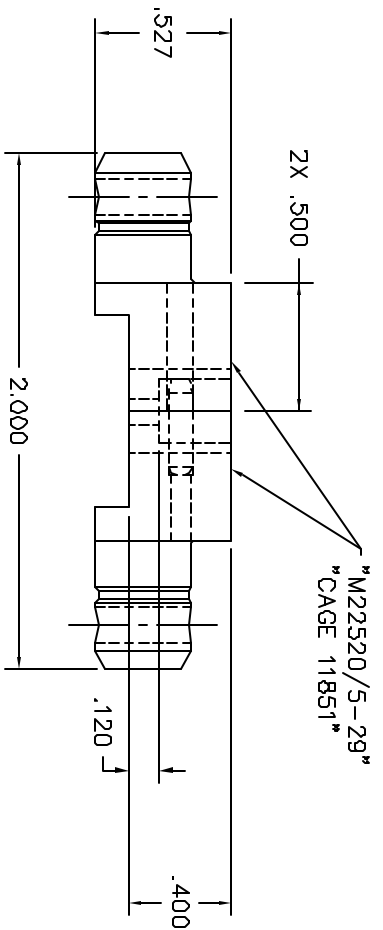


REVISIONS			
REV. NUMBER	DESCRIPTION	BY DATE	APP'D DATE
1	ORIGINAL RELEASE	JML 1/24/00	RFR 1/24/00



**UNCONTROLLED DOCUMENT
WILL NOT BE UPDATED**

RESTRICTED & CONFIDENTIAL		MATERIAL		ITEM		PART NO.		QTY.		DESCRIPTION/REMARKS	
DD NOT SCALE DRAWING DD NOT SCALE DRAWING		DMC-USA Y109P DMC-USA Y109P		DRN: J. JOYCE DKT'D: RRR APP'D: RRR	DATE: 1/24/00 DATE: 1/24/00 DATE: 1/24/00	THIS DRAWING IS AN OUTLINE DRAWING OF THE RESPECTIVE PART NUMBER AS DRAWING MANAGER WITHOUT THE "-ENV" SUFFIX.		TITLE: DIE SET ENVELOPE DRAWING WHERE USED: M22520/5-29		DMC: MFL Y109P-ENV	
		HEAT TREAT FINISH		NOTE:		SCALE: 2X POSTING:		CAD BY: Y109P-ENV DMC: MFL Y109P-ENV		SHEET 1 OF 1 REV: 1	

Mouser Electronics

Authorized Distributor

Click to View Pricing, Inventory, Delivery & Lifecycle Information:

[Daniels Manufacturing:](#)

[Y109P](#)