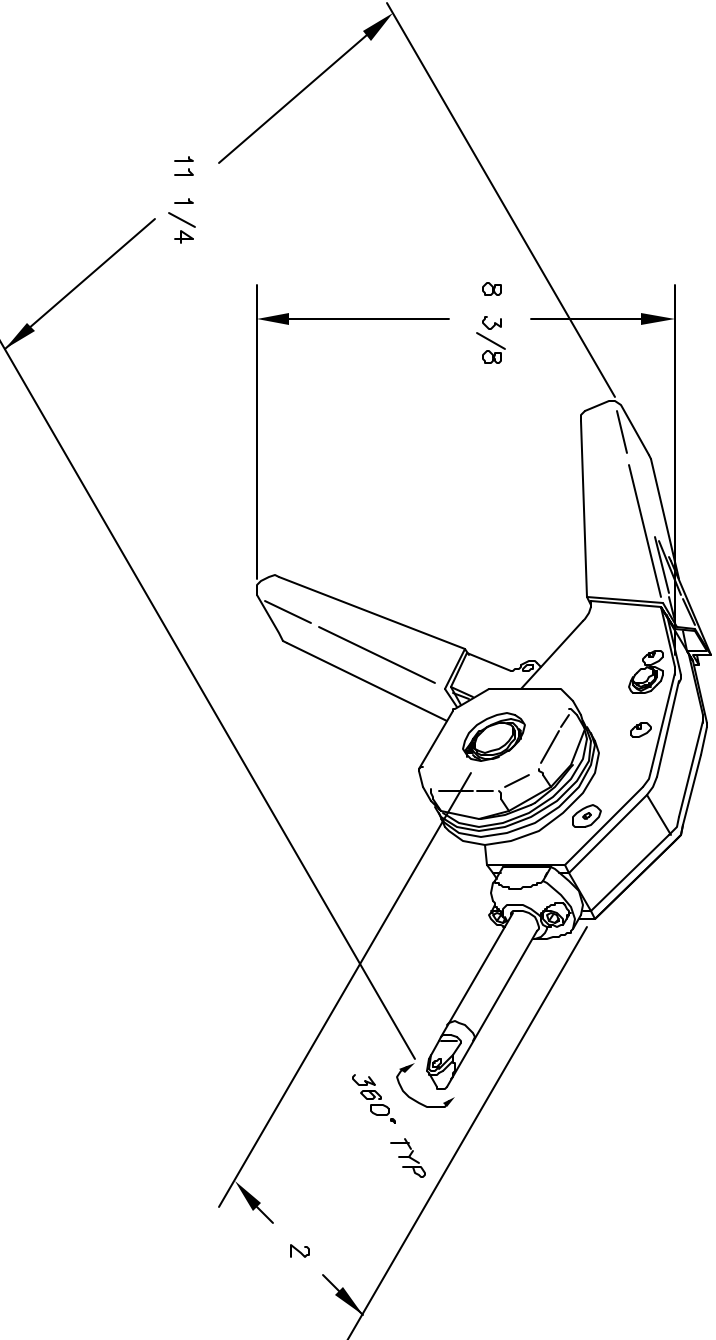


**UNCONTROLLED DOCUMENT
WILL NOT BE UPDATED**

REVISIONS				
REV. SYM.	E.C.D. NUMBER	DESCRIPTION	BY DATE	APP'D DATE
1		ORIGINAL RELEASE	JMJ 5/8/00	RRR 5/8/00



RESTRICTED & CONFIDENTIAL
 CONFIDENTIAL PROPERTY OF DANIELS MANUFACTURING CORP. NOT TO BE DISCLOSED TO OTHERS, REPRODUCED OR USED FOR ANY OTHER PURPOSE, EXCEPT AS AUTHORIZED IN WRITING BY DANIELS MANUFACTURING, MANUFACTURING CORP. ON COMPLETION OF ORDER OR OTHER PURPOSE FOR WHICH LENT.

DO NOT SCALE DRAWING

MATERIAL		ITEM		PART NO.		QTY.		DESCRIPTION/REMARKS	
		DRN. J. JOYCE		DATE 5/8/00				DANIELS MANUFACTURING CORP. ORLANDO, FLORIDA CAGE 11851	
		CHKD. RRR		DATE 5/8/00				TITLE ADJUSTABLE SAFE-T-CABLE APPLICATION TOOL	
		HEAT TREAT		APPD. DATE				WHERE USED: ENVELOPE DRAWING	
		APPD. DATE						SIZE SCALE A NTS	
FINISH								CAD P/N SCTR403-ENV	
								SHEET OF 1 1	
								P/N SCTR403-ENV	
								REV. 1	

Mouser Electronics

Authorized Distributor

Click to View Pricing, Inventory, Delivery & Lifecycle Information:

[Daniels Manufacturing:](#)

[SCTR403](#)