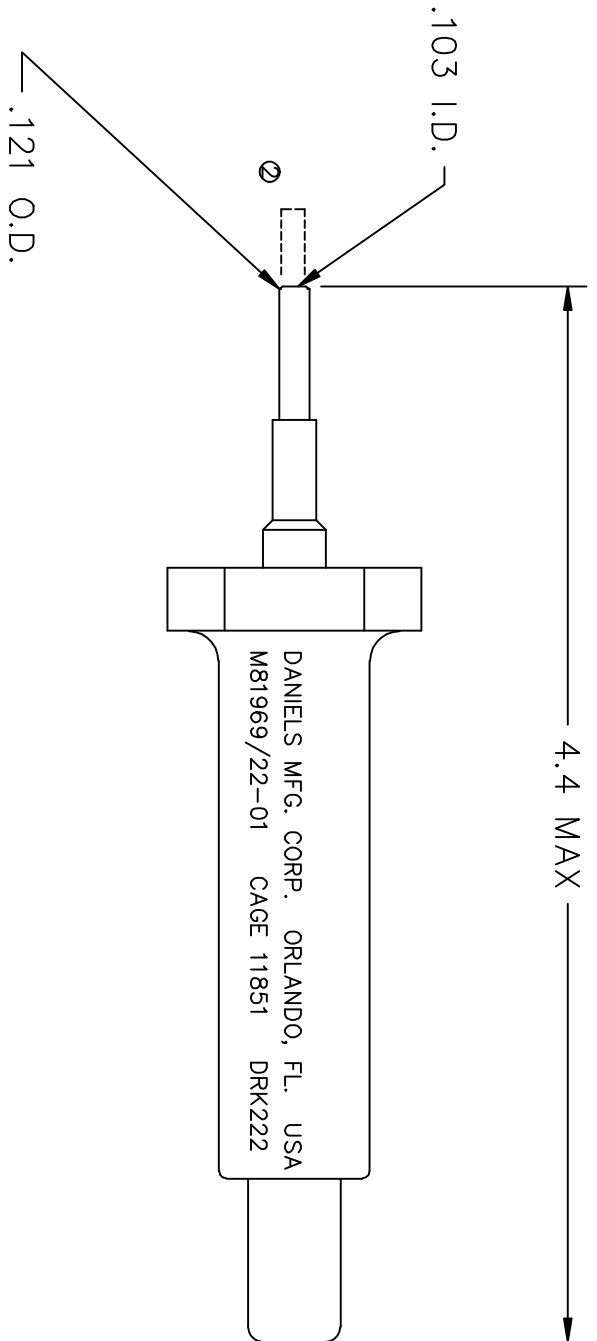


REVISIONS					
REV. STYL.	E.C.O. NUMBER	DESCRIPTION	BY DATE	APP'D DATE	REV. OF
1		ORIGINAL RELEASE	LLW 9/19/91	PD 9/91	1
2	21484	PLUNGER ADDED	KDH 11/02/09	RRR 11/02/09	2



**UNCONTROLLED DOCUMENT  
WILL NOT BE UPDATED**

1. REFERENCE HUGHES TM016RT006.

NOTES:

<b>RESTRICTED &amp; CONFIDENTIAL</b>		<b>MATERIAL</b>		<b>ITEM</b>		<b>PART NO.</b>		<b>QTY.</b>		<b>DESCRIPTION/REMARKS</b>	
CONCEPTUAL PROPERTY OF DANIELS MANUFACTURING CORP. NOT TO BE DISCLOSED TO OTHERS; REPRODUCED OR USED FOR ANY OTHER PURPOSE, EXCEPT AS AUTHORIZED IN WRITING BY DANIELS MANUFACTURING. MUST BE RETURNED TO DANIELS MANUFACTURING OR DANIELS MFG. CORP. FOR INFORMATION OF ORDER OR OTHER PURPOSE FOR WHICH LENT.		HEAT TREAT		DRK.	LLW	DATE	DATE	<b>DMC</b> DANIELS MANUFACTURING CORP. ORLANDO, FLORIDA CAGE 11851  TITLE REMOVAL TOOL (M81969/22-01) ENVELOPE DRAWING			
		FINISH		CHK'D.	PD	DATE	DATE				
DO NOT SCALE DRAWING				APP'D.	AAM	DATE	DATE	NOTE: THIS DRAWING IS AN OUTLINE DRAWING. DIMENSIONS ARE INDICATED. ACTUAL DIM PART NUMBER IS DRAWING NUMBER WITHOUT THE "-ENV" SUFFIX.			
				APP'D.				WHERE USED: SIZE SCALE B NTS POSTING		G/D P/N DRK222-ENV DWG. NO. DRK222-ENV	

# Mouser Electronics

Authorized Distributor

Click to View Pricing, Inventory, Delivery & Lifecycle Information:

[Daniels Manufacturing:](#)

[DRK222](#)