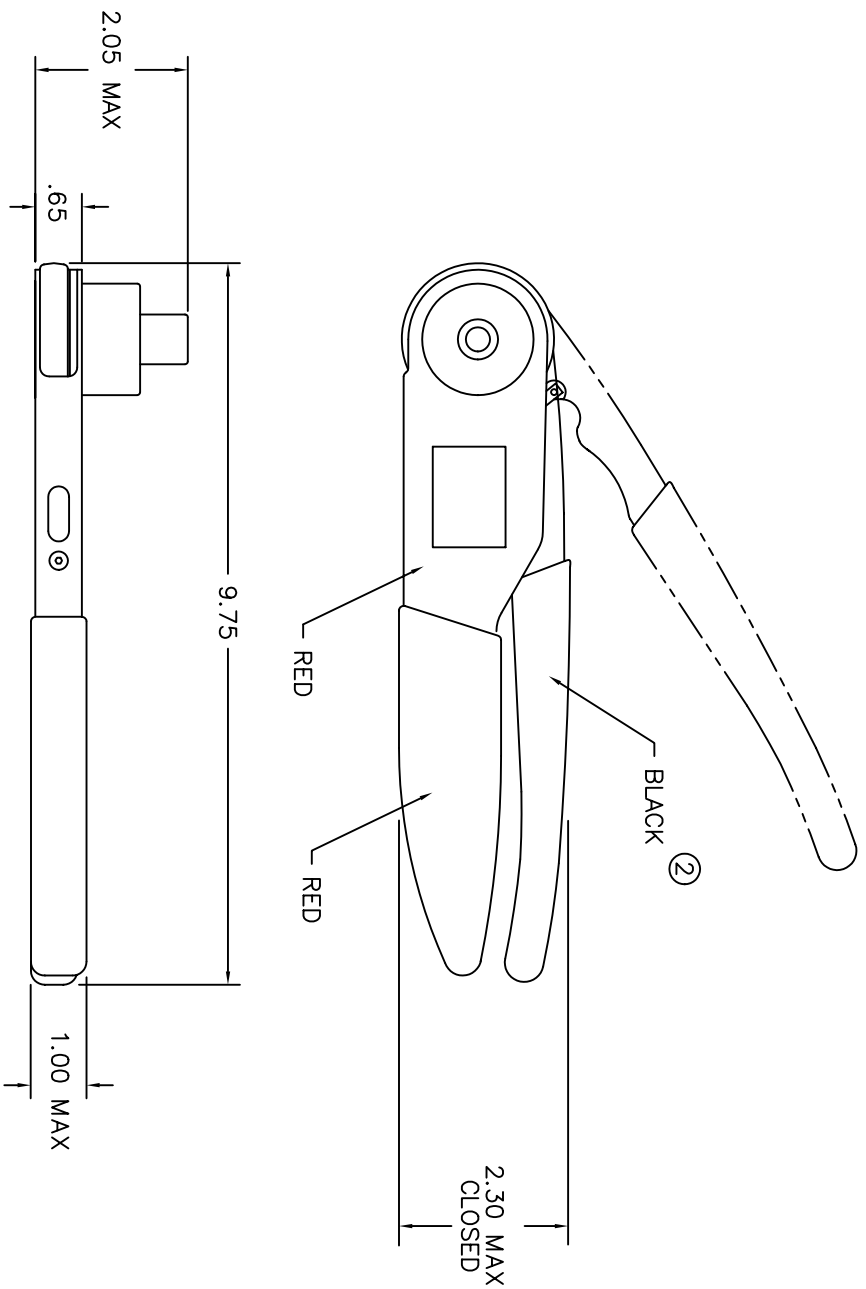


REVISIONS				
REV. SYM.	E.C.O. NUMBER	DESCRIPTION	BY DATE	APP'D DATE
1		ORIGINAL RELEASE	ED 10-23-93	RRR 10-23-93
2		BLACK BOOT WAS RED	AMM 7-3-03	RRR 7-3-03



Tool No.	1001-31	Wire	20
Gage	Go .039 No .044		
Contacts:			
	NB-CP-20		
	NB-CS-20		

DATAPLATE

**UNCONTROLLED DOCUMENT
WILL NOT BE UPDATED**

RESTRICTED & CONFIDENTIAL
 CONFIDENTIAL PROPERTY OF DANIELS MANUFACTURING CORP. NOT TO BE DISCLOSED TO OTHERS, REPRODUCED OR USED FOR ANY OTHER PURPOSE, EXCEPT AS AUTHORIZED IN WRITING BY DANIELS MANUFACTURING. MUST BE RETURNED TO DANIELS MANUFACTURING UPON COMPLETION OF ORDER. OTHERWISE FOR WHICH LEAD.

DO NOT SCALE DRAWING

ITEM	PART NO.	QTY.	DESCRIPTION/REMARKS
DRN.	ED	10-25-95	
CHK'D.	RRR	10-25-95	
APP'D.	DATE		
APP'D.	DATE		

THIS DRAWING IS AN OUTLINE DRAWING. PART NUMBER INDICATED. ACTUAL DMC PART NUMBER IS DRAWING NUMBER WITHOUT THE "-ENV" SUFFIX.		WHERE USED:	CAD P/N	SHEET	OF
B	SCALE	1001-31-ENV	1	1	
POSTING	NTS	1001-31-ENV	1	1	
		DMG. NO.	1001-31-ENV	2	REV.



ENVELOPE DRAWING
SPECIAL PURPOSE TOOL

Mouser Electronics

Authorized Distributor

Click to View Pricing, Inventory, Delivery & Lifecycle Information:

[Daniels Manufacturing:](#)

[1001-31](#)