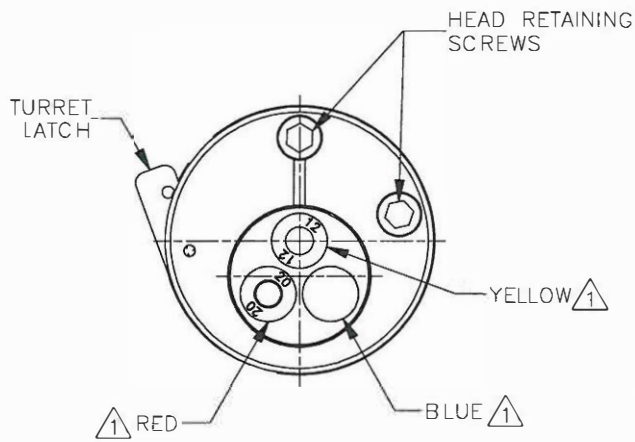
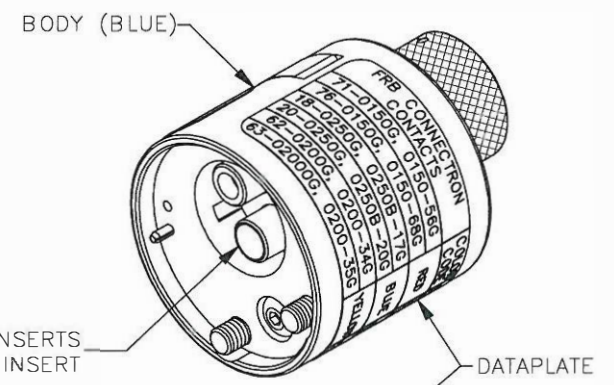
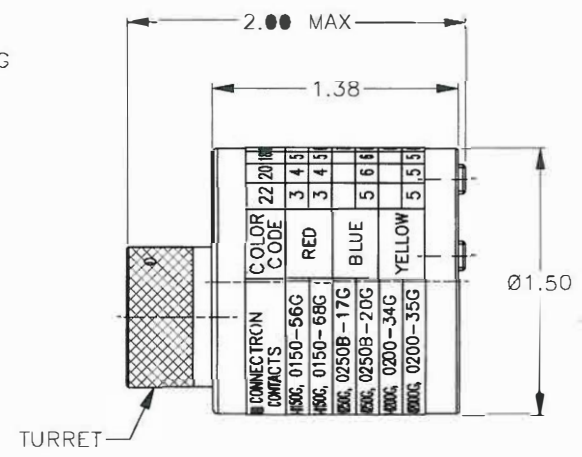


REVISIONS				
REV. NO.	EDS. NUMBER	DESCRIPTION	BY DATE	APP'D. DATE
1		ORIGINAL RELEASE	03-11-10	

UNCONTROLLED DOCUMENT  
WILL NOT BE UPDATED



① RANDOM ORDER OF ROTATION IS ACCEPTABLE



INSERT COLOR	HOLE DIMENSIONS	ADDITIONAL FEATURES
YELLOW	∅.193 ▽THRU	L∅.218 ▽.176
BLUE	∅.109 ▽.569	L∅.221 ▽.219
RED	∅.140 ▽THRU	L∅.161 ▽.104

FRB CONNECTRON CONTACTS	COLOR CODE	22	20	18	16	14	WIRE SIZE
71-0150G, 0150-56G	RED	3	4	5			SEL NO.
76-0150G, 0150-68G		3	4	5	6	7	
18-0250G, 0250B-17G	BLUE				7	7	
20-0250G, 0250B-20G		5	6	6	6		
62-0200G, 0200-34G	YELLOW				6	7	
63-0200G, 0200-35G		5	5	5	6		

NOTE: FOR USE WITH DANIELS CRIMP TOOLS ACCOMMODATING "TH" SERIES POSITIONERS

RESTRICTED & CONFIDENTIAL		MATERIAL	ITEM	PART NO.	QTY.	DESCRIPTION/REMARKS
CONFIDENTIAL PROPERTY OF DANIELS MANUFACTURING CORP. NOT TO BE UNCONTROLLED TO OTHERS. REPRODUCED OR USED FOR ANY OTHER PURPOSE EXCEPT AS AUTHORIZED IN WRITING BY DANIELS MANUFACTURING. MUST BE RETURNED TO DANIELS MANUFACTURING CORP. ON COMPLETION OF ORDER OR OTHER PURPOSE FOR WHICH LENT.		HEAT TREAT	DESIGNED: <i>Tommy Adams</i> DATE: 03-11-10 CHECKED: DATE:	DANIELS MANUFACTURING CORP. ORLANDO, FLORIDA CAGE 11851		
			APPLIC: DATE: TITLE: APPROV: DATE:			
			NOTE: THIS DRAWING IS AN OUTLINE DRAWING OF THE RESPECTIVE DIE PART NUMBER INDICATED. ACTUAL EMC PART NUMBER IS DRAWING NUMBER WITHOUT THE "ENV" SUFFIX.			
CREATED FROM AN INVENTOR MODEL. CHANGES MUST BE REFLECTED IN THE 3D PART		FINISH	WHERE USED: FT8 SIZE: B SCALE: 1.5X CAGE P/N: SH463-ENV PERFT: 1 OF 1		DWG NO: SH463-ENV P/P: 1	
DO NOT SCALE DRAWING						

# Mouser Electronics

Authorized Distributor

Click to View Pricing, Inventory, Delivery & Lifecycle Information:

[Daniels Manufacturing:](#)

[SH463-1](#) [SH463](#)