

USERS MUST ENSURE CORRECT REVISION

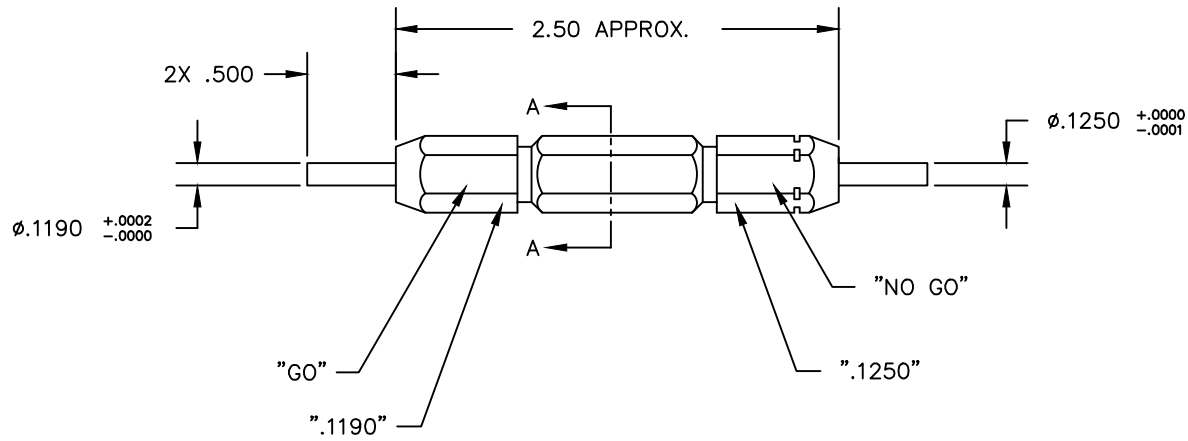
| REVISIONS | | | | |
|-----------|---------------|------------------|----------------|----------------|
| REV. SYM. | E.C.O. NUMBER | DESCRIPTION | BY DATE | APP'D DATE |
| 1 | | ORIGINAL RELEASE | JWJ 5-22-07 | RRR 5-22-07 |

"DO NOT CRIMP"
"GAGE"



"DMC-USA G768"

SECTION A-A



**UNCONTROLLED DOCUMENT
WILL NOT BE UPDATED**

| | | | | | | | | | |
|-------------------------------------------------------------------------------------------------------------------------------------------------------------------------------------------------------------------------------------------------------------------------------------------------|--|------------|---|-----------------------------------------------------------------------------------------------------------------------------------------------------|----------|-------------|---------------------|---------|-------|
| RESTRICTED & CONFIDENTIAL | | MATERIAL | | ITEM | PART NO. | QTY. | DESCRIPTION/REMARKS | | |
| CONFIDENTIAL PROPERTY OF DANIELS MANUFACTURING CORP. NOT TO BE DISCLOSED TO OTHERS, REPRODUCED OR USED FOR ANY OTHER PURPOSE, EXCEPT AS AUTHORIZED IN WRITING BY DANIELS MANUFACTURING. MUST BE RETURNED TO DANIELS MANUFACTURING CORP. ON COMPLETION OF ORDER OR OTHER PURPOSE FOR WHICH LENT. | | HEAT TREAT | | DRN. | J. JOYCE | DATE | 5/22/07 | | |
| | | | | CHK'D. | RRR | DATE | 5/22/07 | | |
| | | | | APP'D. | | DATE | | | |
| | | | | APP'D. | | DATE | | | |
| DO NOT SCALE DRAWING | | FINISH | | NOTE: | | WHERE USED: | | | |
| | | | | THIS DRAWING IS AN OUTLINE DRAWING OF THE RESPECTIVE DMC PART NUMBER INDICATED. ACTUAL DMC PART NUMBER IS DRAWING NUMBER WITHOUT THE "-ENV" SUFFIX. | | SIZE | SCALE | CAD P/N | SHEET |
| | | | | B | NTS | G768-ENV | 1 | | |
| | | | | POSTING | DWG. NO. | G768-ENV | REV. | | |
| | | | 1 | | | | | | |

DMC DANIELS MANUFACTURING CORP.
ORLANDO, FLORIDA
CAGE 11851

TITLE
GO/NO-GO GAGE
ENVELOPE DRAWING

Mouser Electronics

Authorized Distributor

Click to View Pricing, Inventory, Delivery & Lifecycle Information:

[Daniels Manufacturing:](#)

[G768](#)