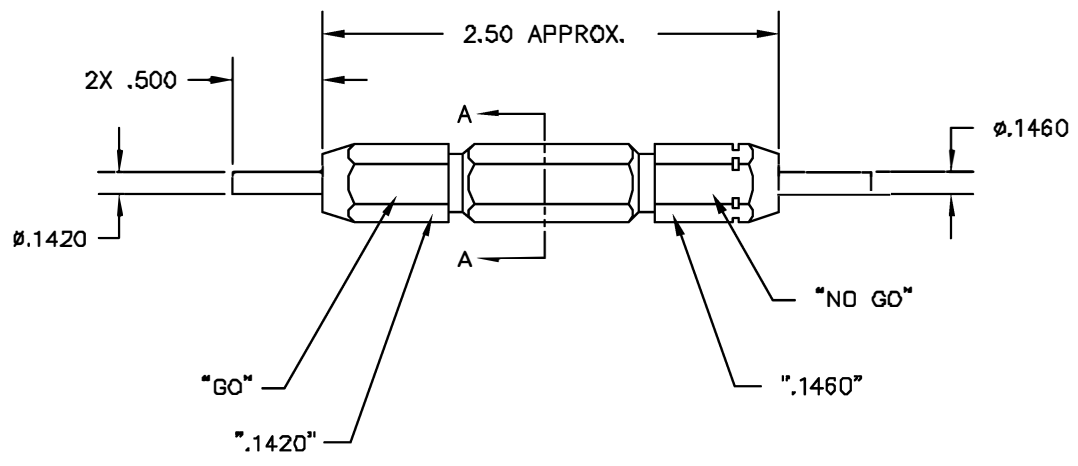



REVISIONS				
REV. SYN.	E.C.O. NUMBER	DESCRIPTION	BY DATE	APP'D DATE
1		ORIGINAL RELEASE	DVC 4/21/95	DE 4/95



**UNCONTROLLED DOCUMENT
WILL NOT BE UPDATED**

RESTRICTED & CONFIDENTIAL CONFIDENTIAL PROPERTY OF DANIELS MANUFACTURING CORP. NOT TO BE DISCLOSED TO OTHERS, REPRODUCED OR USED FOR ANY OTHER PURPOSE EXCEPT AS AUTHORIZED IN WRITING BY DANIELS MANUFACTURING CORP. ON COMPLETION OF ORDER OR OTHER PURPOSE FOR WHICH LENT.	MATERIAL HEAT TREAT	ITEM	PART NO.	QTY.	DESCRIPTION/REMARKS			
		DRN	DVC	DATE	 DANIELS MANUFACTURING CORP. ORLANDO, FLORIDA CAGE 11851			
CHK'D	DE	DATE	DATE	TITLE				
APP'D.		DATE	DATE	GO/NO-GO GAGE ENVELOPE DRAWING (M22520/3-15)				
APP'D.		DATE	DATE	WHERE USED				
DO NOT SCALE DRAWING		FINISH		SIZE	SCALE	END P/N	SHEET	OF
				B	NTS	G443-ENV	1	1
				POSTING		P/N		REV.
						G443-ENV		1

Mouser Electronics

Authorized Distributor

Click to View Pricing, Inventory, Delivery & Lifecycle Information:

[Daniels Manufacturing:](#)

[G443](#)