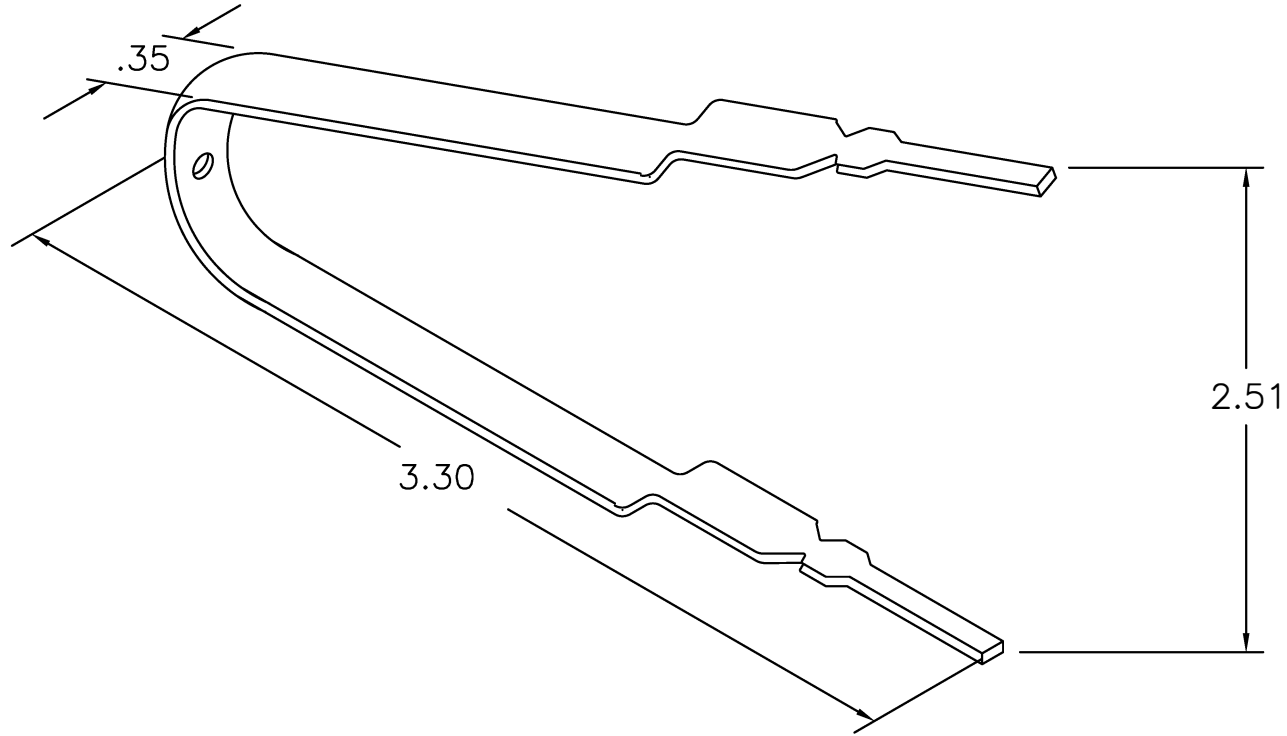


**UNCONTROLLED DOCUMENT  
WILL NOT BE UPDATED**

REVISIONS				
REV. SYM.	E.C.O. NUMBER	DESCRIPTION	BY DATE	APP'D DATE
1		ORIGINAL RELEASE	JMC 6-18-02	JWJ 6-18-02
2		CORRECTED LENGTH	ENF 4-12-12	RRR 4-12-12



MATERIAL	ITEM	PART NO.	QTY.	DESCRIPTION/REMARKS
	DRN.	JMC	DATE 6-18-02	<b>DMC</b> DANIELS MANUFACTURING CORP. ORLANDO, FLORIDA CAGE 11851
	CHK'D.	JWJ	DATE 6-18-02	
HEAT TREAT	APP'D.		DATE	TITLE MODULE REMOVAL TOOL (M81714/69-01) WHERE USED: ENVELOPE DRAWING
	APP'D.		DATE	
FINISH	NOTE: THIS DRAWING IS AN OUTLINE DRAWING OF THE RESPECTIVE DMC PART NUMBER INDICATED. ACTUAL DMC PART NUMBER IS DRAWING NUMBER WITHOUT THE "-ENV" SUFFIX.			SIZE A
				SCALE NTS
			CAD P/N CTJ-R06-ENV	SHEET OF 1 1
			POSTING	DWG. NO. CTJ-R06-ENV
				REV. 2

**RESTRICTED & CONFIDENTIAL**  
CONFIDENTIAL PROPERTY OF DANIELS MANUFACTURING CORP. NOT TO BE DISCLOSED TO OTHERS, REPRODUCED OR USED FOR ANY OTHER PURPOSE EXCEPT AS AUTHORIZED IN WRITING BY DANIELS MANUFACTURING. MUST BE RETURNED TO DANIELS MANUFACTURING CORP. ON COMPLETION OF ORDER OR OTHER PURPOSES FOR WHICH LENT.

DO NOT SCALE DRAWING

# Mouser Electronics

Authorized Distributor

Click to View Pricing, Inventory, Delivery & Lifecycle Information:

[Daniels Manufacturing:](#)

[CTJ-R06](#)