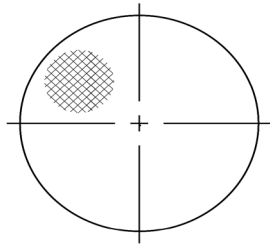
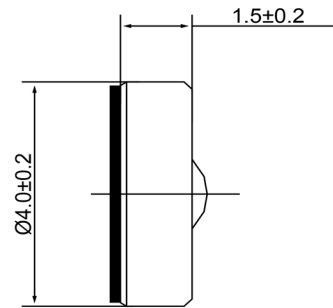


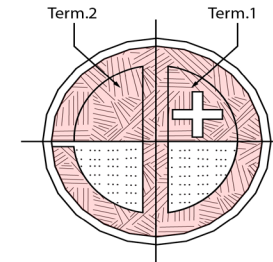
TOP VIEW





SIDE VIEW



BOTTOM VIEW



Specifications			Notes	Revision History					
Description	Value	Unit		Version	Description	Date	Approved		
Directivity	Omnidirectional		1) All dimensions are in mm unless otherwise noted 2) All parts meet RoHS 	1	Released from Engineering	10/21/2013	J.S		
Technology	Electret Condenser								
Sensitivity	-42	(dB)							
Frequency Range	50 ~ 16,000	(Hz)							
Rated Voltage	2	(V)							
Output Impedance	2,200	(Ohm)							
Connection Method	Solder Pads								
Voltage Range	2 ~ 10	(V)							
Max Rated Current	0.5	(mA)							
Minimum Signal to Noise Ratio	>60	(dB)							
Operating Temperature	-20 ~ +60	°C							
Storage Temperature	-25 ~ +70	°C							
						Electret Condenser Microphone		MO044202-6	
				Drawn by A.B.	Date 10/21/2013	Checked by C.E.	Date 10/21/2013	Approved by J.S	Date 10/21/2013

Mouser Electronics

Authorized Distributor

Click to View Pricing, Inventory, Delivery & Lifecycle Information:

[DB Unlimited:](#)

[MO044202-6](#)