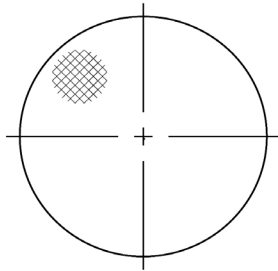
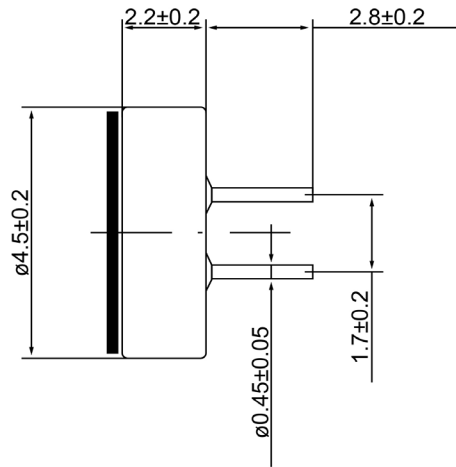


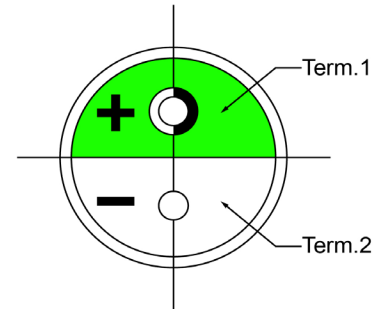
TOP VIEW



SIDE VIEW



BOTTOM VIEW



**Specifications**

Description	Value	Unit
Directivity	Omnidirectional	
Technology	Electret Condenser	
Sensitivity	-40	(dB)
Frequency Range	50 ~ 16,000	(Hz)
Rated Voltage	3	(V)
Output Impedance	2,200	(Ohm)
Connection Method	PC Pins	
Voltage Range	3 ~ 10	(V)
Max Rated Current	0.5	(mA)
Minimum Signal to Noise Ratio	>60	(dB)
Operating Temperature	-20 ~ +60	°C
Storage Temperature	-25 ~ +70	°C

**Notes**

- 1) All dimensions are in mm unless otherwise noted
- 2) All parts meet RoHS



**Revision History**

Version	Description	Date	Approved		
1	Released from Engineering	10/21/2013	J.S		
Drawn by	Date	Checked by	Date	Approved by	Date
A.B.	10/21/2013	C.E.	10/21/2013	J.S	10/21/2013

**Electret Condenser Microphone**

**MO044003-1**

# Mouser Electronics

Authorized Distributor

Click to View Pricing, Inventory, Delivery & Lifecycle Information:

[DB Unlimited:](#)

[MO044003-1](#)