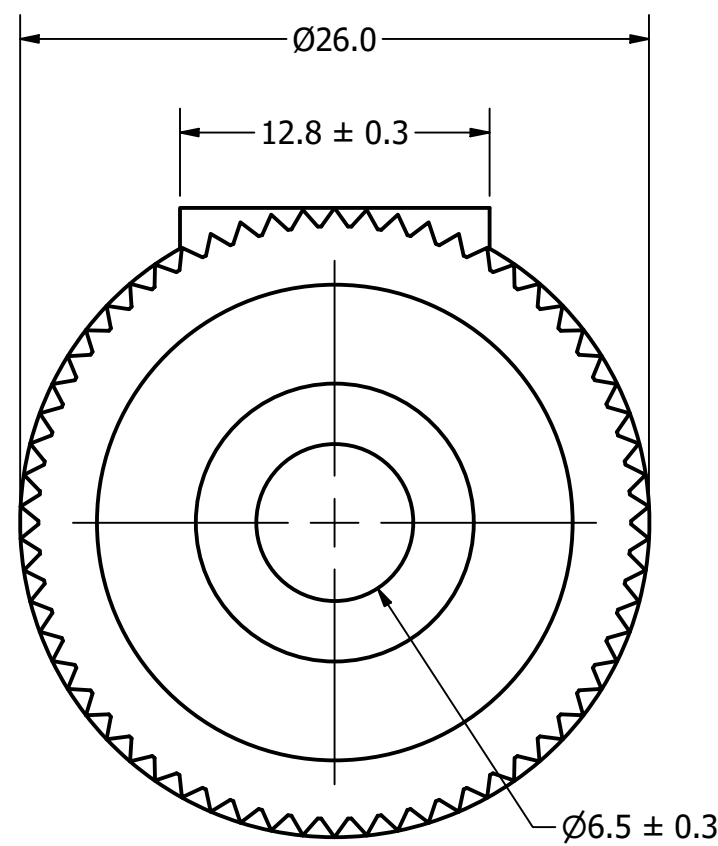
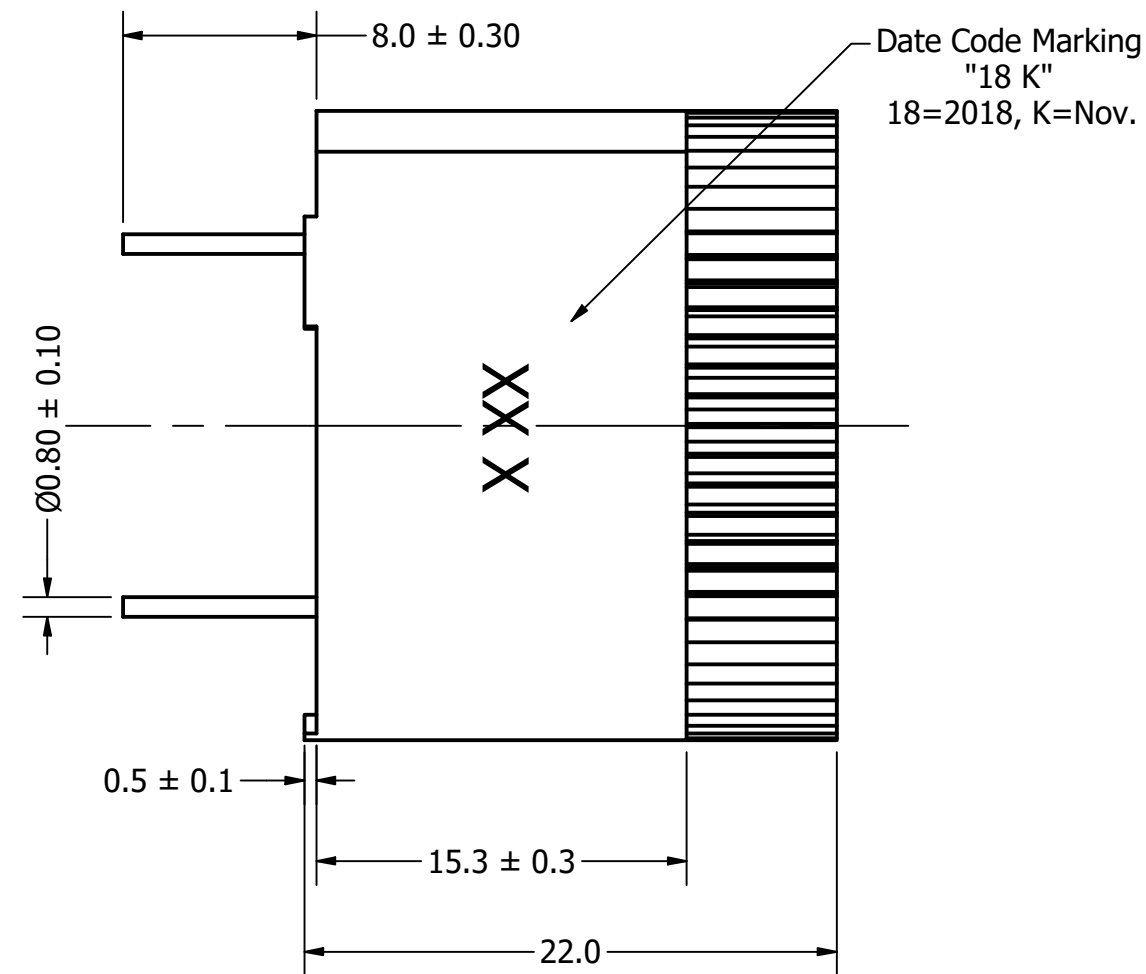


Part Number:	IP262809-1	
Description:	DRAWN	11/30/2018
	CJ	
Piezo Indicator	CHECKED	12/3/2018
	C.H.	
	APPROVED	12/3/2018
C.E.		
This document contains data proprietary to DB Unlimited. Any use or reproduction, in any form, without prior written permission of DB Unlimited is prohibited. All terms and conditions can be found at www.dbunlimitedco.com		

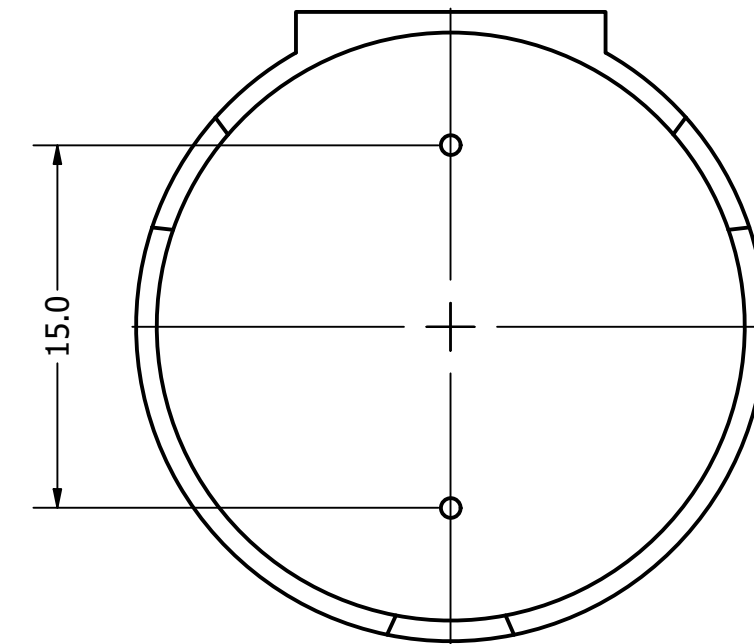
Top View



Side View



Bottom View



Items	Specifications	Conditions
Min. Sound Pressure Level	108,114	dB (@ 10cm) 9V,12V
Tone	Single	
Resonant Frequency	2,800	Hz
Rated Voltage	9,12	V
Voltage Range	5 ~ 18	V
Max. Rated Current	50	mA
Storage Temperature	-30 ~ +85	°C
Operating Temperature	-20 ~ +85	°C
Connection Method	PC Pins	
Mount Type	Thru-Hole	
Housing Material	PBT	
Weight	15	g

REVISION HISTORY			
REV	DESCRIPTION	DATE	APPROVED
	Released from Engineering	10/21/2018	J.S.
1	Updated to new template, SPL, temps	12/3/2018	C.E.

NOTES	
1)	All dimensions are in mm unless otherwise noted
2)	All tolerances are ± 0.5 mm unless otherwise noted
3)	All parts meet RoHS
4)	Subject to change or redrawn without notice

Mouser Electronics

Authorized Distributor

Click to View Pricing, Inventory, Delivery & Lifecycle Information:

[DB Unlimited:](#)

[IP262809-1](#)