



DO SERIES

PCB MOUNT



Features

- Mini-SIP SSR
- Ratings to 1A @ 60 VDC
- Bi-polar Transistor Output
- DC Control
- Normally Open or Normally Closed Output



PRODUCT SELECTION

Control Voltage	1A
3-9 VDC	DO061A, DO061A-B
1.7-9 VDC	DO061B, DO061B-B



SPECIFICATIONS

Output⁽¹⁾

Description	Parameters
Operating Voltage Range (47-63Hz) [Vdc]	3-60
Maximum Off-State Leakage Current @ Rated Voltage [μA]	200
Maximum Load Current [Adc]	1.0
Minimum Load Current [Adc]	0.02
Maximum Surge Current [Adc]	5 (1 sec)
Maximum On-State Voltage Drop @ Rated Current ⁽²⁾	1.5
Maximum Power Factor (with Maximum Load)	0.5

Input ⁽¹⁾

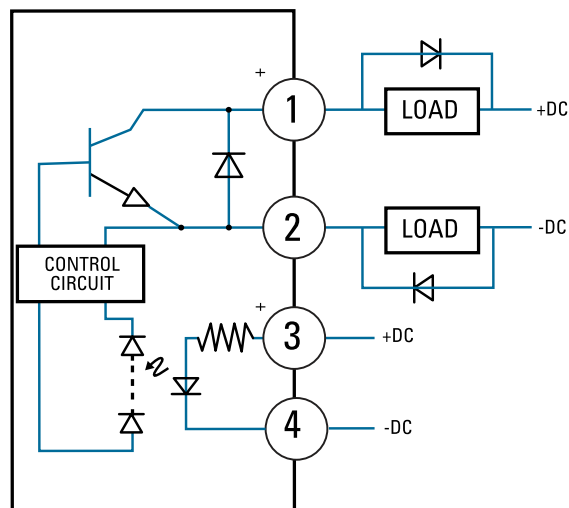
Description	D0061A	D0061B
Control Voltage Range	3-9 VDC	1.7-9 VDC
Must Turn On Voltage	3.0 VDC	1.7 VDC
Must Turn Off Voltage	1.0 VDC	0.8 VDC
Typical Input Current @ 5 VDC	15 mAdc	15 mAdc
Nominal Input Impedance	1800 Ohm	270 Ohm
Maximum Turn-On Time [μsec]	50	50
Maximum Turn-Off Time [μsec]	50	150

General

Description	Parameters
Dielectric Strength, Input/Output/Base (50/60Hz) ⁽³⁾	4000 Vrms
Minimum Insulation Resistance (@ 500 VDC) ⁽³⁾	10 ⁹ Ohm
Maximum Capacitance, Input/Output	8 pF
Ambient Operating Temperature Range	-30° to 80°C
Ambient Storage Temperature Range	-30° to 125°C
Weight (typical)	0.15 oz. (4.3 g)
Encapsulation	Thermally Conductive Epoxy



WIRING DIAGRAM ⁽⁴⁾



Mouser Electronics

Authorized Distributor

Click to View Pricing, Inventory, Delivery & Lifecycle Information:

[Sensata:](#)

[DO061B](#) [DO061A](#) [DO061B-B](#) [DO061A-B](#)