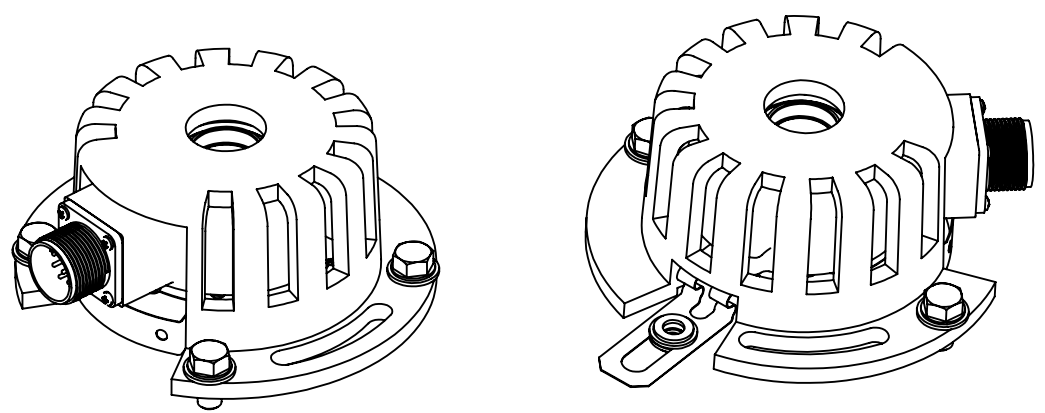
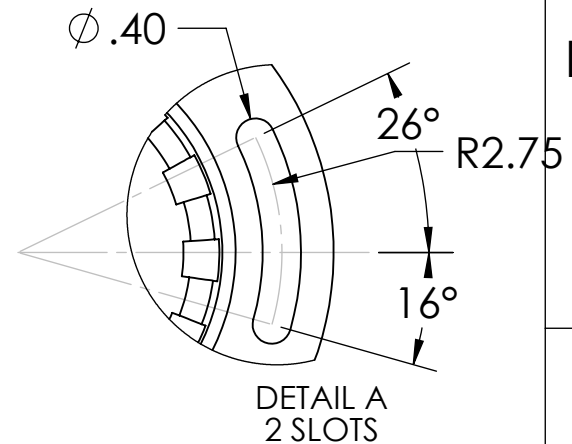
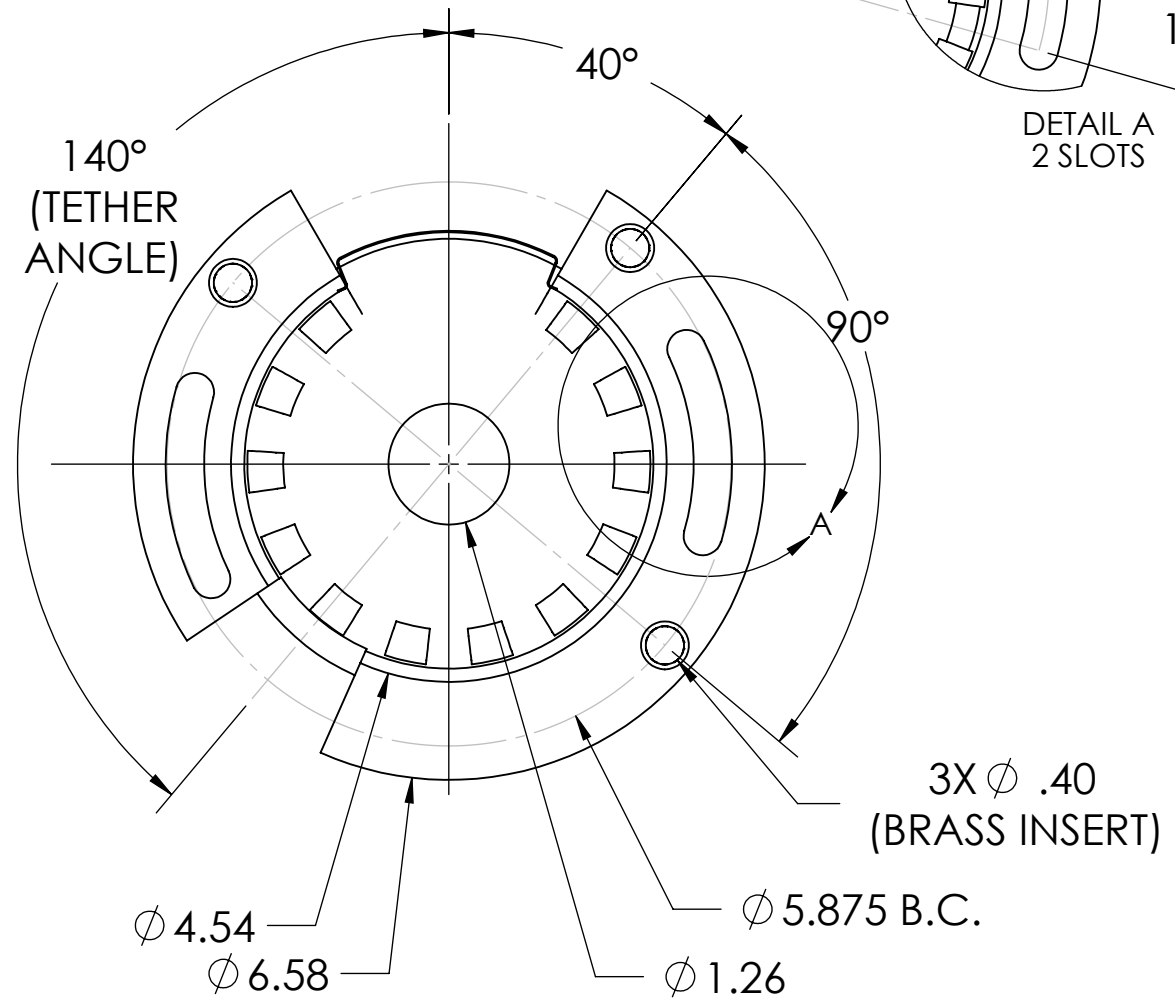
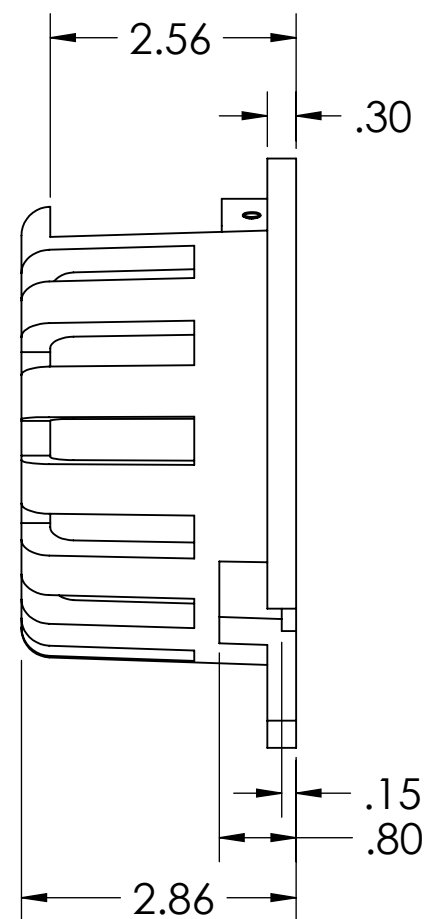
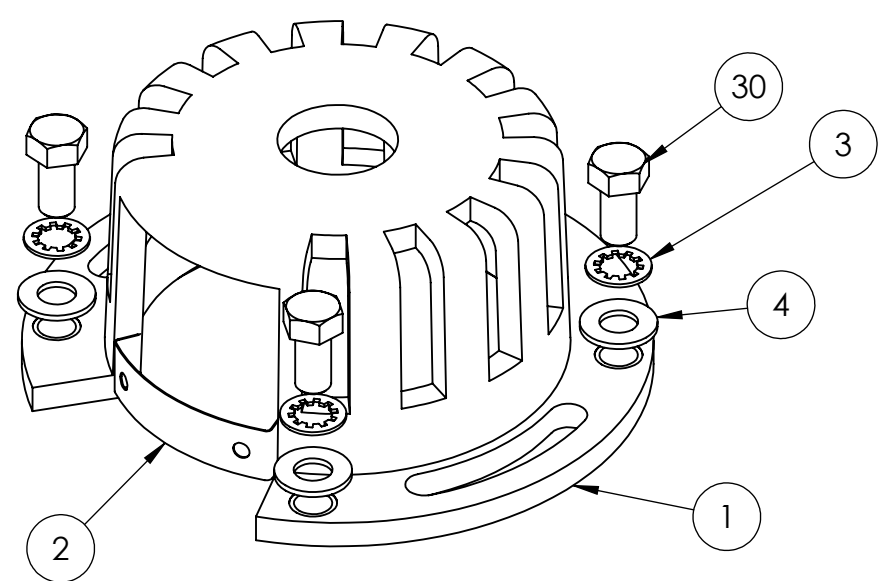



ITEM NO.	PART NO.	DESCRIPTION	26068-003	26068-001
			QTY	QTY
1	23145-001	PROTECTIVE COVER, HS25 & HS35	1	1
2	38521-001	IP50 CLIP	1	1
3	33032-001	WASHER, LOCK, INT., 3/8	0	3
4	MS15795-814	WASHER, FLAT, 3/8	0	3
5	330HHCS3/8163/4	HEX HEAD CAP SCREW, 3/8-16X7.5	0	3

ZONE	REV.	REVISION DESCRIPTION	ECN NO.	DATE

NOTES (UNLESS OTHERWISE INDICATED)
 1. FOR USE WITH HS35 OR HS25 ENCODER
 2. FITS NEMA 56C MOTOR FACE (MALE)



UNCONTROLLED COPY		 BEI SENSORS 1461 LAWRENCE DRIVE THOUSAND OAKS, CA 93120		
FIRST ISSUE DATE: 04/09/19	SENSATA TECHNOLOGIES PROPRIETARY AND CONFIDENTIAL. NEITHER THIS PRINT NOR THE INFORMATION CONTAINED HEREON IS TO BE USED AGAINST THE INTERESTS OF SENSATA TECHNOLOGIES OR AGAINST THE INTERESTS OF ANY OF ITS AFFILIATED COMPANIES OR WHOLLY OWNED SUBSIDIARIES.	TITLE PROTECTIVE COVER KIT FOR HS25 AND HS35 ENCODERS		
DRAWN: MFB		INTERPRET DIMENSIONING AND TOLERANCING PER ASME Y14.5-2009. UNLESS OTHERWISE SPECIFIED DIMENSIONS ARE IN INCHES [MILLIMETERS] AND ARE INTENDED AS NOMINAL SEE PRODUCT SPECIFICATIONS FOR MORE DETAILS.	SIZE B	DWG NO. 09909-001
APPROVED: DRC			DO NOT SCALE DRAWING	THIRD ANGLE PROJECTION
DATE: 04/09/19		SCALE 1:2	SOLIDWORKS	SHEET 1 OF 1
ECN:				
DATE:				
MATERIAL:				

4

3

2

DEVICE:

PROJECT:

1

Mouser Electronics

Authorized Distributor

Click to View Pricing, Inventory, Delivery & Lifecycle Information:

[Sensata:](#)

[26068-001](#) [26068-003](#)