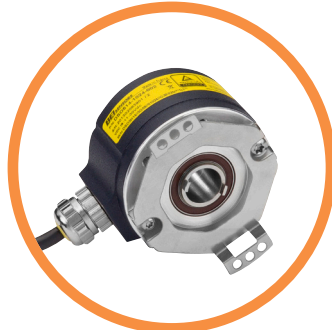


DSM5H & DSO5H MODELS

SIL3 PLe INCREMENTAL ENCODERS



DSM5H



DSO5H



Features

- Usable up to SIL3 and Cat.4 / PLe according to IEC 61508 / EN ISO 13849
- Suitable for safe motor feedback according to IEC 61800-5-2
- Robustness and excellent resistance to shock and vibration
- High protection level: IP65
- High temperature performance –20°C to +85°C
- Power supply 5Vdc or 11/30Vdc
- Digital TTL/RS422 or HTL or sine/cosine 1Vpp output
- Resolutions up to 2500ppr
- 58mm encoder, solid shaft 6mm, 9.52mm or 10mm (DSM5H), and through shaft, standard 14mm (DSO5H)
- Connector or cable output (DSM5, side output only for DSO5)
- Stainless steel version available as an option (DSM5X) - consult factory
- Adapted anti-rotation system (DSO5H)

SPECIFICATIONS

Mechanical

| | DSM5H | DSO5H |
|--|---|---|
| Material | Cover: powder coated zinc alloy Body: aluminum Shaft: AISI 303 stainless steel | Cover: powder coated zinc alloy Body: aluminum Shaft: AISI 303 stainless steel |
| Bearings | 6000 series - sealed | 6803 series - sealed |
| Maximum Loads | Axial: 40 N | Axial: 20 N |
| | Radial: 80 N | Radial: 40 N |
| Shaft Inertia | < 2,800 g.mm ² | < 9,500 g.mm ² |
| Static/Dynamic torque | 5 / 35 mN.m | 10 / 85 mN.m |
| Permissible max. speed | 9,000 RPM | |
| Continuous max. speed | 6,000 RPM | 4,000 RPM |
| Theoretical mechanical lifetime L_{10h}^(A) | > 29.7 X 10 ⁹ turns / 82,365 hours | > 24 X 10 ⁹ turns / 100,000 hours |
| Encoder weight (approx.) | 0.30 kg | 0.28 kg |

^(A) *Continuous max. speed – ½ max. load – according to ISO 281: 1990, L₁₀*

Temperature Conditions

| | |
|------------------------------|-------------------------------|
| Operating temperature | - 20 ... + 85 °C (encoder T°) |
| Storage temperature | - 20 ... + 85 °C |

Electrical Characteristics / Functional Safety Parameters ^(B)

| Electronic Version | Output signals | Operating Voltage +V | Supply current | Current per channel pair | Short circuits proof | Reverse polarity protected | PFD | PFH | MTTFd | DC |
|--------------------|-------------------|----------------------|--------------------|--------------------------|----------------------|----------------------------|----------|----------|-------|------|
| 2G2 | Digital TTL RS422 | 5V +/-5% | 100mA with no load | 40mA | Yes | Yes | 7.51E-05 | 8.58E-10 | 1331 | HIGH |
| 5G2 | | 11-30V | | | Not to +V | | 9.52E-05 | 1.09E-09 | 1050 | |
| 5G5 | Yes | | | | 9.52E-05 | | 1.09E-09 | 1050 | | |
| 2WT | Sine Cosine 1Vpp | 5V +/-5% | 70mA with no load | 10mA | Yes | | 4.29E-05 | 4.90E-10 | 2328 | |
| 5WT | | 11-30V | | | Not to +V | | 6.60E-05 | 7.53E-10 | 1515 | |

^(B) **Safety mission time:** 20 years

Standards Conformity

| | |
|--|--|
| Protection(EN 60529) | IP65 |
| Humidity (EN 60068-2-38) | 93% @ 65°C |
| Shock (EN60068-2-27) | ≤ 500m.s ⁻² (during 6 ms) |
| Vibration (EN60068-2-6) | ≤ 200m.s ⁻² (10 ... 2 000 Hz) |
| EMC Immunity Test | EN 61000-6-2,increased levels |
| EMC Emission Test | EN 61000-6-4,increased levels |
| Isolation | 1000 Veff |
| Salt Spray (EN 60068-2-11 part 2) | 96h |
| Functional safety | IEC 61508 |
| | IEC 62061 |
| | ISO 13849-1 |
| | IEC 61800-5-2 |
| | IEC 62061 |
| Encoders usable up to SIL3 / PLe with external specific requirements, see safety user manual for details. | |
| Z and Z/ are not safety signals. | |

Electrical Connections

| | | 0V | +V | A or S | B or C | Z | A/ or S/ | B/ or C/ | Z/ | Ground |
|-----------|------------------------------------|-------------------------------|-------------------------------|----------|-----------|---------|----------|----------|----------|-------------------|
| G6 | M23 - 12 pins CW | 1 | 2 | 3 | 4 | 5 | 6 | 7 | 8 | Connector body |
| G8 | M23 - 12 pins CCW | 10 + 11 | 2 + 12 | 8 | 5 | 3 | 1 | 6 | 4 | Connector body |
| G3 | PVC cable 8 wires 8230/020 | WH white | BN brown | GN green | YE yellow | GY grey | PK pink | BU blue | RD red | General shielding |
| GP | PUR cable 12 wires 8230/050 | WH white + WH/GN white /green | BU blue + BN/GN brown / green | GY grey | BN brown | RD red | PK pink | GN green | BK black | General shielding |

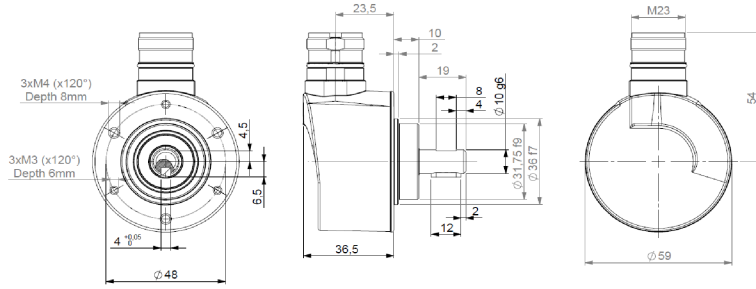
Available Resolutions

250 256 360 500 512 1000 1024 2048 2500



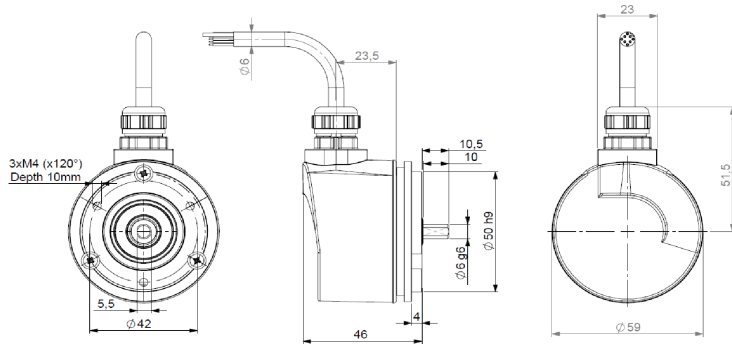
DIMENSIONS

DSM5H10 – radial M23 connector

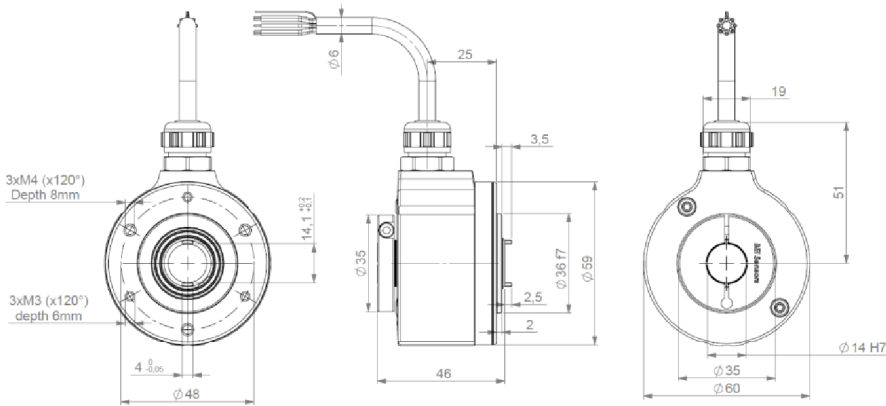


| | | 9445/044 | 9445/047 |
|---------------------------|----------|-------------|-------------|
| Permissible misalignments | Axial | +/- 1mm | +/- 1mm |
| | Radial | +/- 0.2mm | +/- 0.2mm |
| | Perpend. | +/- 2° | +/- 5° |
| | Runout | 0.1mm | 0.1mm |
| Angular rigidity | | 200 N.m/rad | 250 N.m/rad |

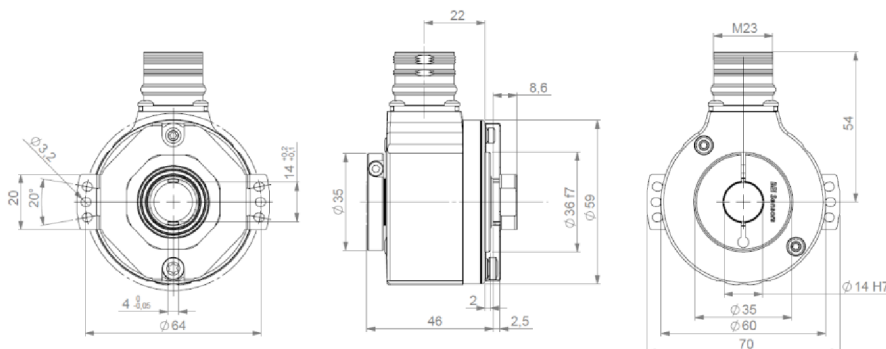
DSM5H06 radial cable - with 9500/003 flange



DS05H – radial cable



DS05H radial M23 - with stator coupling 9445/044





DSM5H ORDERING OPTIONS

Example : DSM5H06 // 5G29 // 01024 // GPR050 / 1J / **03**

Contact the factory for special versions, ex: resolution, connection, flange...

| | DSM5H | 06 | // | 5G59 | // | 01024 | // | GPR050 | / | 1J | / | CS03** |
|---|---|----|----|------|----|-------|----|--------|---|----|---|--------|
| Family | DSM5H | | | | | | | | | | | |
| DSM5H | | | | | | | | | | | | |
| Shaft | 06: 6mm 10: 10mm 09: 9.52 mm | | | | | | | | | | | |
| Supply + Output stage + Output signals | Digital Signals: 2: 5Vdc G2: TTL RS422 9: AA/ BB/ ZZ/ 5: 11- 30Vdc G2: TTL RS422 G5: HTL 9: AA/ BB/ ZZ/ Analog Sine Cosine signals: 2: 5Vdc WT: TTL RS422 N: SS/ CC/ ZZ/ 5: 11- 30Vdc WT: TTL RS422 N: SS/ CC/ ZZ/ | | | | | | | | | | | |
| Resolution | 250, 256, 360, 500, 512, 1000, 1024, 2048, 2500 | | | | | | | | | | | |
| Connection + Orientation | G6: M23 12 pins CW A: axial R: radial G8: M23 12 pins CCW A: axial R: radial GP: PUR cable 12 wires R: radial cable (example: 050 = 5m) G3: PVC cable 8 wires R: radial cable (example: 050 = 5m) | | | | | | | | | | | |
| Cover | 1J: Zinc alloy cover | | | | | | | | | | | |
| Flange | ****: No specials CS**: Key for keyway DSMH10 only **03**: 9500/003 Servo Flange | | | | | | | | | | | |



DSO5H ORDERING OPTIONS

Example : DSO5H14 // 5G29 // 01024 // GPR050 // **DX**

Contact the factory for special versions, ex: resolution, connection, flange...

| | | | | | | | | | | |
|---|-----------------|----|----|------|----|-------|----|--------|----|--------|
| Family | DSO5H | 14 | // | 5G29 | // | 01024 | // | GPR050 | // | **DX** |
| DSO5H | | | | | | | | | | |
| Shaft | | | | | | | | | | |
| 14: 14mm | | | | | | | | | | |
| Supply + Output stage + Output signals | | | | | | | | | | |
| Digital Signals: | | | | | | | | | | |
| 2: 5Vdc | | | | | | | | | | |
| G2: driver 5Vdc RS422 | | | | | | | | | | |
| G5: push-pull | | | | | | | | | | |
| 9: AA/ BB/ ZZ/ | | | | | | | | | | |
| 5: 11- 30Vdc | | | | | | | | | | |
| G2: driver 5Vdc RS422 | | | | | | | | | | |
| G5: push-pull | | | | | | | | | | |
| 9: AA/ BB/ ZZ/ | | | | | | | | | | |
| Sine-wave signals: | | | | | | | | | | |
| 2: 5Vdc | | | | | | | | | | |
| WT: sine 1Vpp | | | | | | | | | | |
| N: SS/ CC/ ZZ/ | | | | | | | | | | |
| 5: 11- 30Vdc | | | | | | | | | | |
| WT: sine 1Vpp | | | | | | | | | | |
| N: SS/ CC/ ZZ/ | | | | | | | | | | |
| Resolution | | | | | | | | | | |
| 250, 256, 360, 500, 512, 1000, 1024, 2048, 2500 | | | | | | | | | | |
| Connection + Orientation | | | | | | | | | | |
| G6: M23 12 pins CW | | | | | | | | | | |
| R: radial | | | | | | | | | | |
| G8: M23 12 pins CCW | | | | | | | | | | |
| R: radial | | | | | | | | | | |
| GP: PUR cable 12 wires | | | | | | | | | | |
| R: radial cable (example: 050 = 5m) | | | | | | | | | | |
| G3: PVC cable 8 wires | | | | | | | | | | |
| R: radial cable (example: 050 = 5m) | | | | | | | | | | |
| Anti-rotation | | | | | | | | | | |
| **DX**: | 9445/044 | | | | | | | | | |
| ****: | No antirotation | | | | | | | | | |



AGENCY APPROVALS & CERTIFICATIONS



BEI Sensors SAS

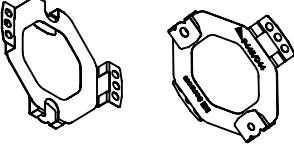
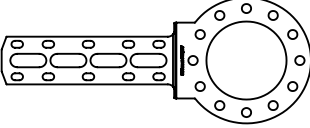
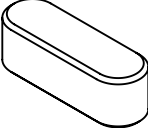
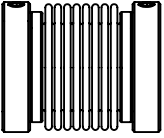
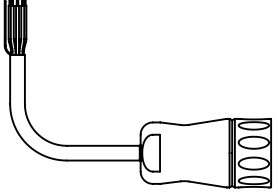
Espace Européen de l'Entreprise
 9, rue de Copenhague
 B.P. 70044 Schiltigheim
 F 67013 Strasbourg Cedex

Tél : +33 (0)3 88 20 80 80
 Fax : +33 (0)3 88 20 87 87
 Mail : info@beisensors.com
 Web : www.beisensors.com

GENERAL NOTES

For a safe installation according to the required safety level needed in the application, refer to the user safety manual - during the installation on the equipment, a quick installation guide is provided with each encoder.

ACCESORIES

| | | |
|---|--|------------------------|
| <p>Safety Rated Flexmount (hardware included)</p>  | <p>M9445/044</p> | <p>DS05H</p> |
| <p>Safety Encoder Tether Arm (hardware included)</p>  | <p>M9445/047</p> | <p>DS05H</p> |
| <p>Metal shaft key 4mm square by 12mm long</p>  | <p>9435/006</p> | <p>DSM5H</p> |
| <p>Safety Bellows Couplings For 10mm shaft</p>  | <p>9404/S/10-10</p> | <p>DSM5H</p> |
| <p>Standard Mating Connector 2m, 5m, 7m, 10m Mating Cable Assembly</p>  | <p>9416/076-8230/020-G6-020 = 2m 9416/076-8230/020-G6-050 = 5m 9416/076-8230/020-G6-070 = 7m 9416/076-8230/020-G6-100 = 10m</p> <p>For use with M23 connector type G6</p> | <p>DS05H DSM5H</p> |

Made in France

Page 6

Sensata Technologies, Inc. ("Sensata") data sheets are solely intended to assist designers ("Buyers") who are developing systems that incorporate Sensata products (also referred to herein as "components"). Buyer understands and agrees that Buyer remains responsible for using its independent analysis, evaluation and judgment in designing Buyer's systems and products. Sensata data sheets have been created using standard laboratory conditions and engineering practices. Sensata has not conducted any testing other than that specifically described in the published documentation for a particular data sheet. Sensata may make corrections, enhancements, improvements and other changes to its data sheets or components without notice.

Buyers are authorized to use Sensata data sheets with the Sensata component(s) identified in each particular data sheet. HOWEVER, NO OTHER LICENSE, EXPRESS OR IMPLIED, BY ESTOPPEL OR OTHERWISE TO ANY OTHER SENSATA INTELLECTUAL PROPERTY RIGHT, AND NO LICENSE TO ANY THIRD PARTY TECHNOLOGY OR INTELLECTUAL PROPERTY RIGHT, IS GRANTED HEREIN. SENSATA DATA SHEETS ARE PROVIDED "AS IS". SENSATA MAKES NO WARRANTIES OR REPRESENTATIONS WITH REGARD TO THE DATA SHEETS OR USE OF THE DATA SHEETS, EXPRESS, IMPLIED OR STATUTORY, INCLUDING ACCURACY OR COMPLETENESS. SENSATA DISCLAIMS ANY WARRANTY OF TITLE AND ANY IMPLIED WARRANTIES OF MERCHANTABILITY, FITNESS FOR A PARTICULAR PURPOSE, QUIET ENJOYMENT, QUIET POSSESSION, AND NON-INFRINGEMENT OF ANY THIRD PARTY INTELLECTUAL PROPERTY RIGHTS WITH REGARD TO SENSATA DATA SHEETS OR USE THEREOF.

All products are sold subject to Sensata's terms and conditions of sale supplied at www.sensata.com SENSATA ASSUMES NO LIABILITY FOR APPLICATIONS ASSISTANCE OR THE DESIGN OF BUYERS' PRODUCTS. BUYER ACKNOWLEDGES AND AGREES THAT IT IS SOLELY RESPONSIBLE FOR COMPLIANCE WITH ALL LEGAL, REGULATORY AND SAFETY-RELATED REQUIREMENTS CONCERNING ITS PRODUCTS, AND ANY USE OF SENSATA COMPONENTS IN ITS APPLICATIONS, NOTWITHSTANDING ANY APPLICATIONS-RELATED INFORMATION OR SUPPORT THAT MAY BE PROVIDED BY SENSATA.

Mailing Address: Sensata Technologies, Inc., 529 Pleasant Street, Attleboro, MA 02703, USA.

CONTACT US

Americas

+1 (800) 350 2727
sensors@sensata.com

Europe, Middle East & Africa

+33 (3) 88 20 8080
position-info.eu@sensata.com

Asia Pacific

sales.isasia@list.sensata.com
 China +86 (21) 2306 1500
 Japan +81 (45) 277 7117
 Korea +82 (31) 601 2004
 India +91 (80) 67920890
 Rest of Asia +886 (2) 27602006
 ext 2808

Mouser Electronics

Authorized Distributor

Click to View Pricing, Inventory, Delivery & Lifecycle Information:

[Sensata:](#)

[DSM510-1024S003](#)