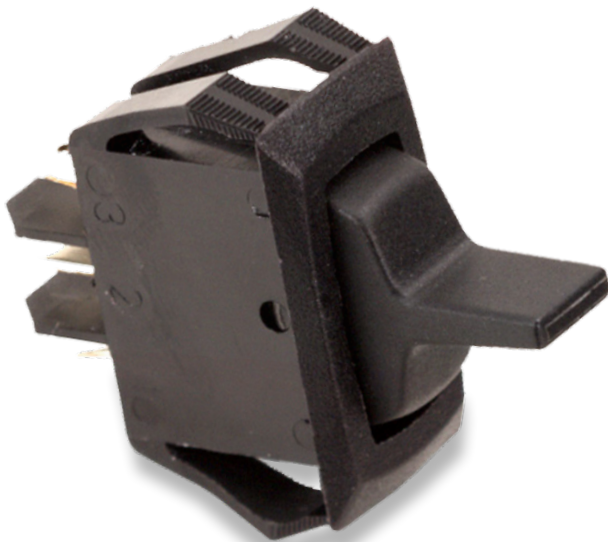


R/RSC-Series

Single Pole Lighted Rocker & Paddle Switches

[PRODUCT WEBPAGE](#)

request sample, configure part



Since its introduction, the Corvette switch has become the barometer for versatility and performance in the switch market. Self cleaning contacts, international approvals, along with a wide variety of circuits, ratings, and actuator options make the Corvette the switch of choice for many markets.

1
Pole

10-20
Amps

125-250
VAC

6-24
VDC

Typical Applications

- Appliances
- HVAC
- Commercial Food
- On-Highway

Tech Specs

Dielectric Strength

UL/CSA: 1000V - live to dead metal parts
 VDE: 4000V - live to dead metal parts;
 750V - across open contacts

Electrical Life

100,000 cycles

Operating Temperature

32°F to 185°F (0°C to 85°C)

Ordering Scheme

Sample Part Number **RA901 - V B - B - 9 - V**

Selection 1 2 3 4 5 6

1. SERIES

10A 250 VAC; 16A 125 VAC; 3/4 HP 125-250 VAC; 10(4) A 250 VACu T85

	Solder Lugs	.250 Tabs	Wire Leads
OFF-NONE-ON	RA900	RA901	RA905
ON-NONE-ON	RB900	RB901	RB905
ON-OFF-ON ³	RC910	RC911	RC915
OFF-NONE-(ON) ²	RD220	RD221	RD225

15A 250 VAC; 20A 125 VAC; 3/4 HP 125-250 VAC

	Solder Lugs	.250 Tabs
OFF-NONE-ON	RSCA200	RSCA201
ON-NONE-ON	RSCB200	RSCB201

2. ACTUATOR STYLE

M Momentary Rocker	R Rocker
P Paddle	V Visi-rocker (2 color)

3. ACTUATOR COLOR

1 Black (gloss)	B Black (matte)
2 White (gloss)	W White (matte)

4. BEZEL COLOR

STANDARD		OVAL	
B Black (matte)		1 Black (gloss)	
W White (matte)		2 White (gloss)	

5. ROCKER LEGEND

	molded in	hot stamp
NO LEGEND	0	0
Off-On vertical	1	A
Off-On horizontal	2	B
O-I horizontal	8	D
O-I vertical	9	E
dual OFF-ON/O-I	n/a	H

6. VISI-ROCKER END / LEGEND COLOR

N N/A	V Visi-red
B Black	W White

Notes: PC Terminals also available, consult factory for details.

1 For additional ratings, consult factory.

2 Rating is 8A 250 VAC, 12A 125 VAC, 1/2 HP 125-250 VAC, and must specify M actuator style.

3 Not rated at 3/4 HP 125-250 VAC

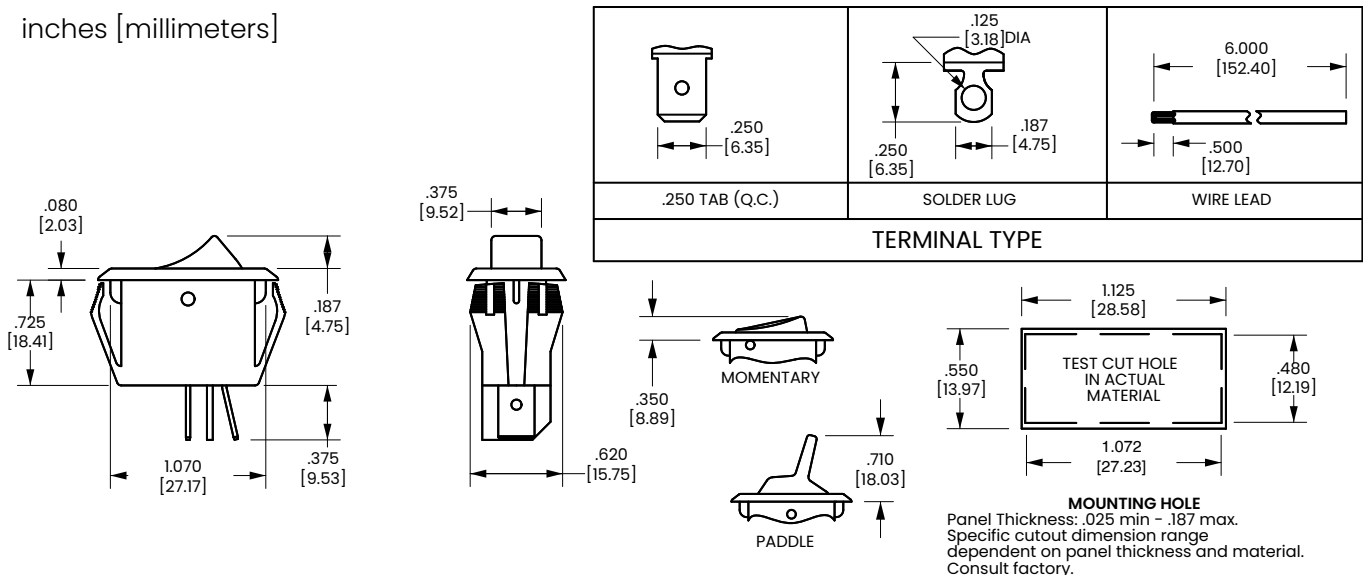
() indicates momentary function.

[Configure Complete Part Number >](#)

[Browse Standard Parts >](#)

Dimensional Specs

inches [millimeters]



Authorized Sales Representatives and Distributors

Click on a region of the map below to find your local representatives and distributors or visit www.carlingtech.com/findarep.



About Carling

Founded in 1920, Carling Technologies is a leading manufacturer of electrical and electronic switches and assemblies, circuit breakers, electronic controls, power distribution units, and multiplexed power distribution systems. With six ISO9001 and IATF16949 registered manufacturing facilities and technical sales offices worldwide, Carling Technologies Sales, Service and Engineering teams do much more than manufacture electrical components, they engineer powerful solutions! To learn more about Carling please visit www.carlingtech.com/company-profile.

To view all of Carling's environmental, quality, health & safety certifications please visit www.carlingtech.com/environmental-certifications.

© Carling Technologies, Inc.

3. Carling, Curvette, Visi-Rocker are registered trademarks of Carling Technologies, Inc. in the U.S. and other countries.

Mouser Electronics

Authorized Distributor

Click to View Pricing, Inventory, Delivery & Lifecycle Information:

Carling Technologies:

[RA901-RW-B-0-N](#) [RA901-VW-W-1-V](#) [RA911-VB-B-1V](#) [RA000-B](#) [RB901-RW-B-0-N](#) [RB901-RW-W-0-N](#) [RB901-VB-B-0-V](#) [RB901-VB-B-1-V](#) [RB901-VB-B-2-V](#) [RSCA201-VB-B-9-G](#) [RB901-RB-B-A-N](#) [RB901-VW-W-1-V](#) [RB901-RB-B-F-N](#) [RA901-VB-B-8V](#) [RA901-RW-B-F-N](#) [RA901-R1-1-0-N](#) [RA901-M1-1-0-N](#) [RSCA201-RB-B-B-N](#) [RA911-VB-B-9-G](#) [RC211-RB-B-0-N](#) [RC211-RB-B-X-N-XMA1](#) [RA901-VB-B-A-V](#) [RA905-VB-B-9-V](#) [RA201-RB-B-0-N](#) [RA201-VB-B-0-V](#) [RA210-VB-B-2-V](#) [RA211-RB-B-E-N](#) [RA581-VB-B-9-V-XAZ2](#) [RA901-PB-B-0-N](#) [RA901-VB-B-0-W](#) [RA901-VB-B-1-W](#) [RA901-VW-W-9-B](#) [RA905-RB-B-0-N](#) [RA911-RB-B-0-NXG](#) [RA911-RB-B-F-N](#) [RA911-RB-B-X-N-XGN2](#) [RA911-RW-B-0-N](#) [RA911-VB-B-2-W](#) [RA911-VB-B-8-V](#) [RA911-VB-B-F-V](#) [RAH211-VB-B-1-V](#) [RC211-PW-B-0-N](#) [RC911-VB-B-9-V](#) [RD221-MR-B-0-N](#) [RA911-RB-B-0-N-XPE1](#) [RB211-RW-W-0-N-XWC3](#) [RA905-VB-B-1-W](#) [RA911-VB-B-9-W](#) [RA911-RW-W-E-N](#) [RA901-R2-2-0-N](#) [RB581-RW-W-0-N](#) [RA908-RB-B-E-N-XBE1](#) [RC211-PB-B-0-N-XST1](#) [RA211-RW-W-0-N](#) [RA511-VB-B-9-W](#) [RA911-RB-2-0-N](#) [RA581-RB-B-F-N-XRM1](#) [RA910-VW-B-2-V](#) [RA900-VB-B-1-W](#) [RA208-RR-B-X-N-XTE1](#) [RA581-RR-B-0-N](#) [RC521-RW-W-0-N](#) [RA901-VB-1-9-V](#) [RA901-VB-1-1-V](#) [RA911-VB-B-0-V-XTO1](#) [RA905-VB-B-9-W](#) [RB211-RW-W-0-N](#) [RB511-RB-B-F-N](#) [RB910-RR-B-0-N](#) [RB581-RB-B-E-N](#) [RA911-VB-B-1-W](#) [RA901-RR-B-E-N](#) [RA201-RB-B-A-N](#) [RA911-RW-W-0-N](#) [RA900-VB-B-1-V](#) [RA515-RW-W-0-N-XNC1](#) [RA901-RW-W-0-NXCA1](#) [RB910-RW-B-0-N](#) [RA511-RB-B-0-N](#) [RC211-RB-B-0-N-XWP1](#) [RA211-PW-W-0-N](#) [RA203-VB-B-9-V](#) [RA580-RW-W-0-N](#) [RB205-PB-B-0-N](#) [RA301-RW-W-0-N](#) [RA301-RB-B-0-N](#) [RCJ311-RB-1-0-N-XBRN1](#) [RB911-VB-B-X-V-XBQ1](#) [RA911-VB-B-X-V-XDE1](#) [RC915-RW-W-0-N](#) [RA201-VB-B-F-V](#) [RB525-RB-B-X-N-XDM1](#) [RA216-RB-B-0-N](#) [RA211-VB-B-9-W](#) [RA210-VW-W-A-B](#) [RA216-RB-B-A-N](#) [RA581-RR-R-A-N](#) [RA211-RW-W-E-N](#) [RC235-RW-W-0-N](#) [RA581-VW-W-9-V](#)