

Tip Jack

Insulated Metal Clad: Military Type

SPECIFICATIONS

Contact: Brass per QQ-B-626D with wrap around beryllium copper spring per QQ-C-533

Finish: Gold

Body: Nylon 6/6 per ASTM D4066

Threaded Brass Jacket: Per QQ-B-626D, nickel plated

Hardware: Nickel plated washer and nut (unassembled)

Panel Thickness: Up to .218 (5.45)

RATINGS

Current: 10 amps

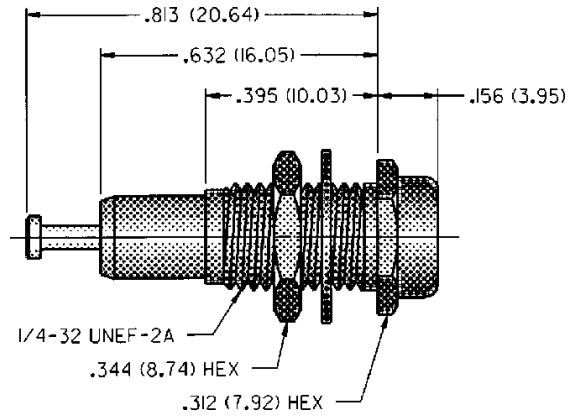
Breakdown Voltage: 5700 Vrms minimum

Contact Resistance: 0.004 ohms maximum

Contact-To-Panel C: 2 pF nominal

Manufactured to meet MIL-C-39024/10

INCHES (MILLIMETERS)
 CUSTOMER DRAWINGS AVAILABLE UPON REQUEST



GOLD PLATING		
JCI PART NO. TO MIL-SPEC. PART NO. CROSS REFERENCE		
PART NO.	COLOR	MIL-C-39024/10
105-0201-200	White	-01

For Standard Tip Plug: .080 (2.00) Diameter

FEATURES:

- Machined contact with turret terminal
- For military or industrial applications
- Closed entry blocks access of probes greater than .085 (2.16)
- Nylon UL approved for self extinguishing

Mouser Electronics

Authorized Distributor

Click to View Pricing, Inventory, Delivery & Lifecycle Information:

[Cinch Connectivity Solutions:](#)

[105-0201-200](#)