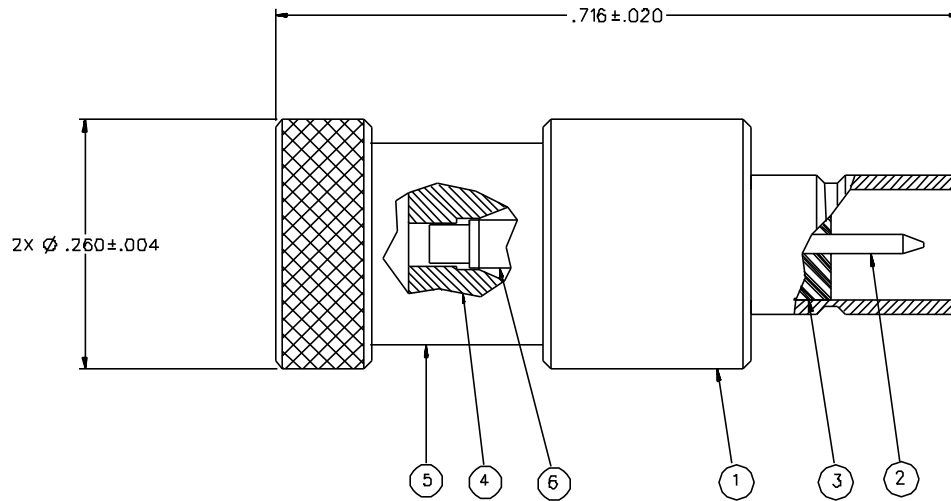


PART NUMBER	ITEM ① FRONT BODY	ITEM ② CONTACT	ITEM ③ INSULATOR	ITEM ④ REAR BODY	ITEM ⑤ END CAP	ITEM ⑥ RESISTOR
131-B701-801	BRASS GOLD PL .00001 MIN OVER NICKEL PL .00005 MIN OVER COPPER PL .00005 MIN	BERYLLIUM COPPER GOLD PL .00003 MIN OVER NICKEL PL .00005 MIN OVER COPPER PL .00005 MIN	TEFLON	BERYLLIUM COPPER GOLD PL .00001 MIN OVER NICKEL PL .00005 MIN OVER COPPER PL .00005 MIN	BRASS GOLD PL .00001 MIN OVER NICKEL PL .00005 MIN OVER COPPER PL .00005 MIN	75 OHM -- 1%
131-B701-806	BRASS NICKEL PL .0001 MIN OVER COPPER PL .00005 MIN	BERYLLIUM COPPER GOLD PL .00003 MIN OVER NICKEL PL .00005 MIN OVER COPPER PL .00005 MIN	TEFLON	BERYLLIUM COPPER NICKEL PL .0001 MIN OVER COPPER PL .00005 MIN	BRASS NICKEL PL .0001 MIN OVER COPPER PL .00005 MIN	75 OHM -- 1%



NOTES:

1. SPECIFICATIONS:

IMPEDANCE: 75 OHMS  
 FREQUENCY RANGE: 0-2 GHZ  
 VSWR: 1.05+.01F (F IN GHZ)  
 MAXIMUM POWER: 1.0 WATT  
 POWER RATINGS: MAXIMUM RATED POWER TO -25° C, DERATED  
 LINEARLY TO 0.5 WATT AT +125° C  
 CONTACT RESISTANCE:  
 CENTER CONTACT - INITIAL 6 MILLIOHM MAX, AFTER  
 ENVIRONMENTAL 8 MILLIOHM MAX  
 OUTER CONDUCTOR - GOLD PLATED INITIAL 1 MILLIOHM MAX,  
 AFTER ENVIRONMENTAL 1.5 MILLIOHM MAX  
 NICKEL PLATED INITIAL 2.5 MILLIOHM MAX,  
 AFTER ENVIRONMENTAL 3.5 MILLIOHM MAX

MECHANICAL:

ENGAGE/DISENGAGE FORCE: INITIAL 14 LBS MAX, AFTER DURABILITY 14 LBS MAX  
 ENGAGEMENT/2 LBS MIN DISENGAGEMENT  
 CONTACT RETENTION: 4 LBS MIN AXIAL FORCE

ENVIRONMENTAL:

OPERATING TEMPERATURE: -65° C TO 125° C  
 TEMPERATURE COEFFICIENT: -- 300 PPM/° C


DRAWING NO.			
C - 131-8701-801/810			
0 REVISIONS			
ENGINEERING RELEASE			
1	3-19-91	RJB	4-12-91 ECO 40293
VERSION UPDATE			
2	12-27-91	RJB	1-6-92 ECO 40809
VERSION UPDATE			
* REVISION NUMBER FOLLOWED BY AN ALPHA *			
* CHARACTER INDICATES DRAWING CLARIF. *			
* CATCH OR PART NUMBER ADDITION ONLY. *			
2a	9-15-00	RJB	ECN 47382

CUSTOMER DRAWING

THIS DRAWING TO BE INTERPRETED  
 PER ANSIZ 14.5M - 1982

"μSTATION"

COMPANY CONFIDENTIAL

TOLERANCE UNLESS OTHERWISE SPECIFIED	DRAWN BY RJB	DATE 3-1-91	 299 Johnson Ave. P.O. Box 1732 Waseca, MN 56093-0832	
DECIMALS .XX	CHECKED BY	DATE	TITLE JACK ASSEMBLY, LOAD MINI-75 OHM SMB	
.XXX	APPROVED BY RJB	DATE 3-28-91	CODE NO.	DRAWING NO. C - 131-8701-801/810
FINISH	RELEASE DATE	4-12-91	SCALE 10:1	U/N INCH SHEET 2 OF 2

# Mouser Electronics

Authorized Distributor

Click to View Pricing, Inventory, Delivery & Lifecycle Information:

[Cinch Connectivity Solutions:](#)

[131-8701-801](#)