

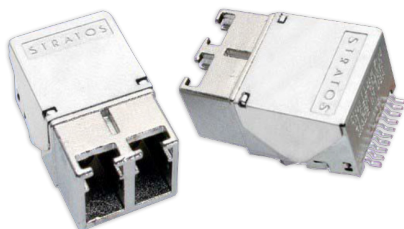
LxPx-ST11xx Low Profile Optical Transceiver

InfiniBand Applications 3.3V, 850nm VCSEL,
Multimode, Up to 150 Meters

Applications

The LxPx-ST11xx multimode optical fiber transceivers provide low profile, cost effective solutions for InfiniBand multimode optical fiber data links with a duplex LC connector interface.

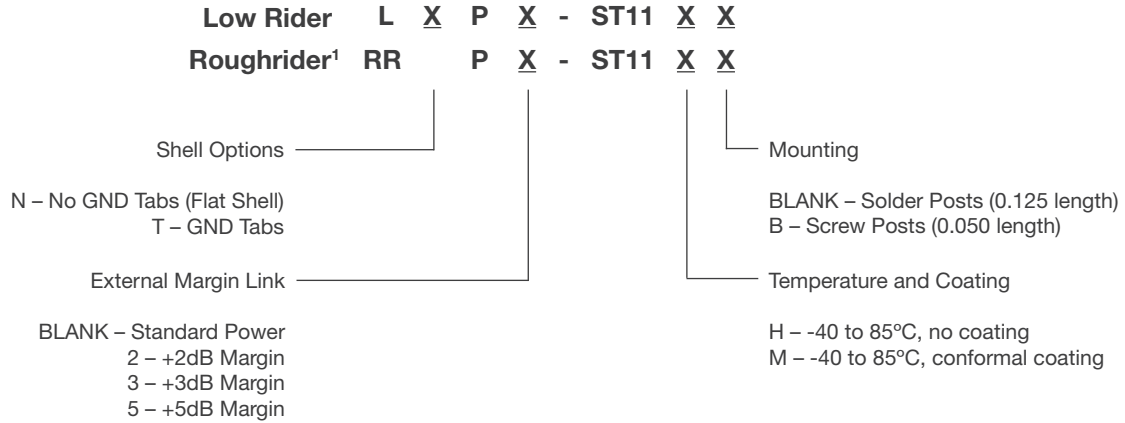
These transceivers are fully compliant with the InfiniBand standards but can be used for any other data communications purpose within their operating parameters.



Features

- Low Profile Design - 0.386 inches max. height
- Surface mount I/O pins for high speed signal integrity
- All metal body, solder or screw mount options
- Industrial Temp Range, Vibration tolerant design
- RX data squelch on Signal Detect deassert
- Individual (separate) +3.3 V power supply per port
- Industry standard duplex multimode LC receptacle
- Compliant with InfiniBand 1x Architecture
- EN-60825 / IEC-825 / CDRH Class 1 Compliant
- Optional Parylene C Conformal Coating
- High Power options available
- Optional addition of fiber pigtail

Ordering Information



Transmitters: VCCTX = 3.135V to 3.465V, T_A = Operating Temperature Range

Parameter	Symbol	MIN	Typical	MAX	Unit
Optical Output Power ¹	P _O				dBm
LxP-ST11xx		-10		-4.0	
LxP2-ST11xx (+2dB Margin)		-8.0		-1.5	
LxP3-ST11xx (+3dB Margin)		-7.0		-1.5	
LxP5-ST11xx (+5dB Margin)		-5.0		-1.5	
Extinction Ratio	ER		9		dB
Optical Modulation Amplitude (p-p)	OMA	196			μW

Receivers: VCCR_X = 3.135V to 3.465V, T_A = Operating Temperature Range

Parameter	Symbol	MIN	Typical	MAX	Unit
Optical Sensitivity ^{1,2}	P _I	-15.0		0	dBm
Optical Modulation Amplitude	OMA	50			μW

1. BER=10⁻¹² @ 2.5Gigabaud, PRBS 2⁷-1, NRZ, Compliant with InfiniBand Architecture Specification

2. Assuming an Extinction Ratio of 9 dB

Link Distances

Fiber Specification	Application	Distance
62.5/125 (200MHz*Km)	Infiniband (2.5Gbps)	125M
50/125 (500MHz*Km)	Infiniband (2.5Gbps)	150M

For more information on this product consult the LxPx-ST11xx product data sheet.

Mouser Electronics

Authorized Distributor

Click to View Pricing, Inventory, Delivery & Lifecycle Information:

[Cinch Connectivity Solutions:](#)

[LTP-ST11MB](#) [LNP-ST11M](#) [LNP-ST11HB](#) [LNP-ST11MB](#)