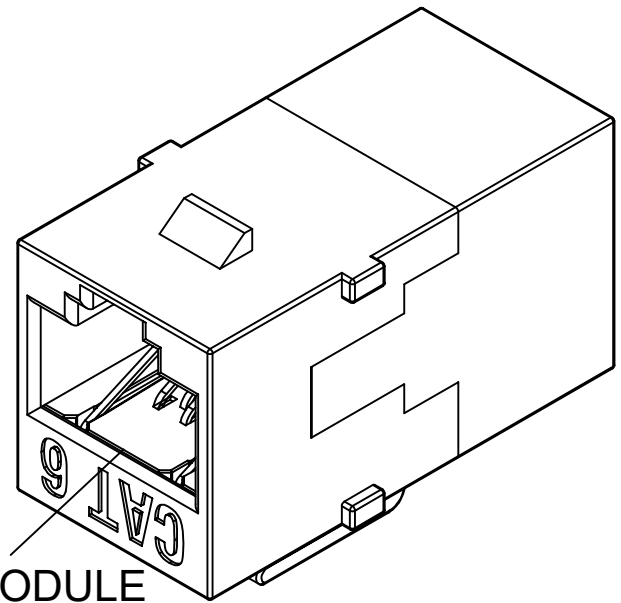
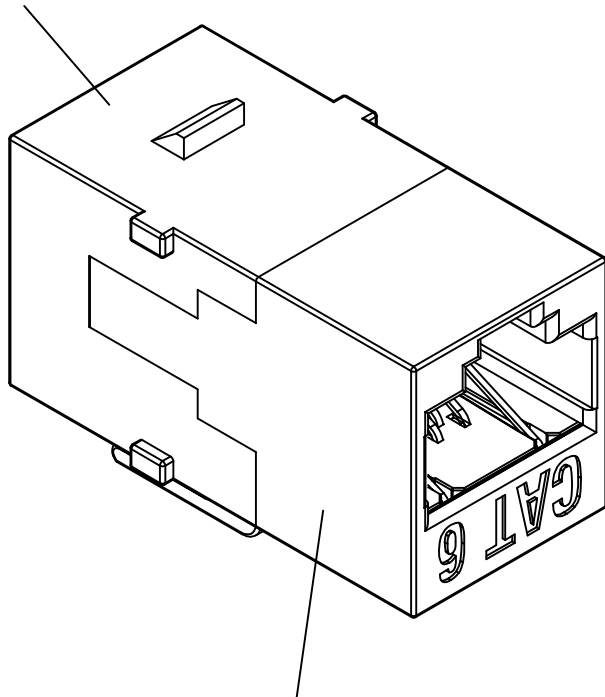


DATE	REV	ECN	APP'D. BY
03/14/18	A0	Released	TM

# ISOMETRIC VIEW



# JACK HOUSING LEFT



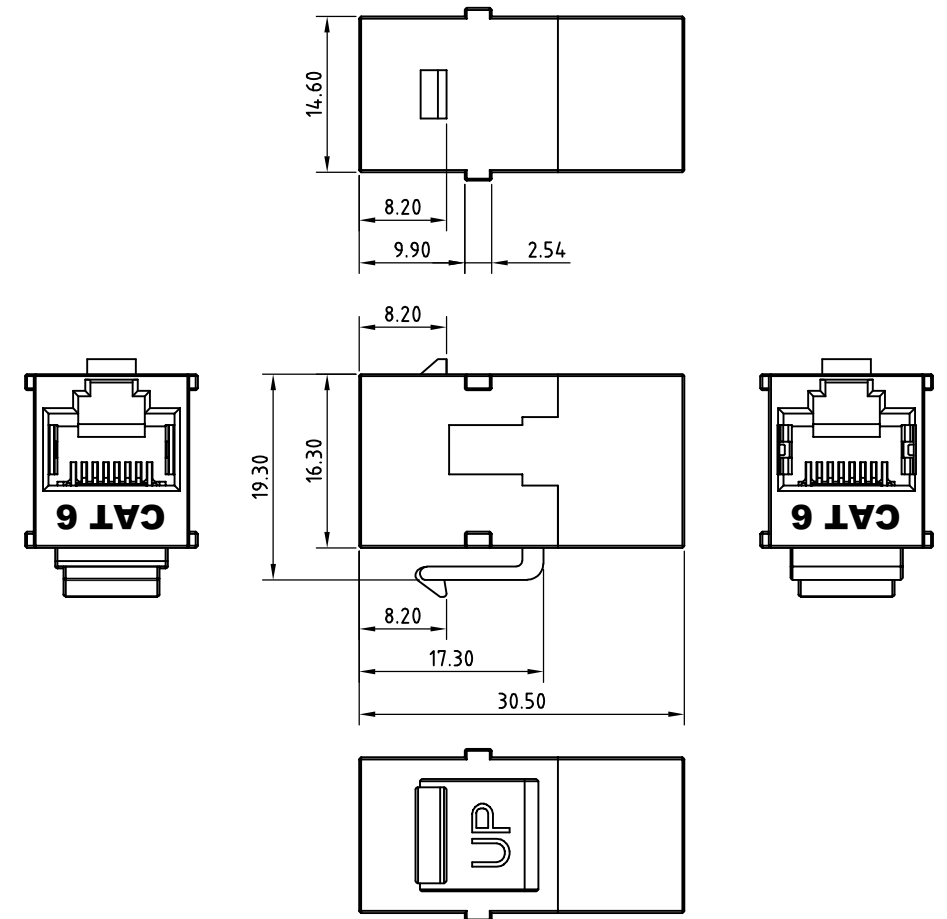
# JACK HOUSING RIGHT

Transmission Performance:  
Meet Cat 6 Channel performance requirements specified in TIA-568-C.2

**ELECTRICAL**  
Electrical Insulation Resistance : 500 MΩ min. @ 100V d.c.  
Dielectric Withstanding Voltage : 1000V d.c. or a.c. Peak Contact to Contact @ 60Hz for 1 minute,  
**MECHANICAL**  
Insertion / Extraction Life : 750 Cycles Minimum  
**PHYSICAL**  
Housing : High-Impact, Flame-Retardant Plastic, UL 94V-0  
Spring Wire : Phosphor Bronze Alloy Plated With 50 micro-inch of Gold

INSERT MODULE

# ASSEMBLY DIMENSION



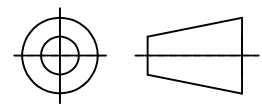
# COMPONENTS

ITEM	PART NAME	Q'TY
3	INSERT MODULE	2
2	JACK HOUSING LEFT	1
1	JACK HOUSING RIGHT	1

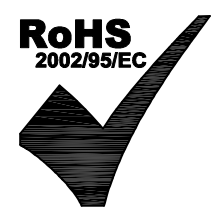
SS-82010-001

PART NUMBER

THIRD ANGLE PROJECTION



206 Van Vorst Street  
Jersey City, NJ 07302  
+1 201 432 0463  
<http://www.belfuse.com>



DO NOT SCALE DRAWING  
DRAWING IS SUBJECT TO CHANGE WITHOUT NOTICE  
DIMENSIONS: METRIC  
UNLESS OTHERWISE SPECIFIED TOLERANCES ARE ±0.2 ANGLER ARE ± 1°  
SHEET NO. 1 OF 1

TITLE: CAT 6 UNSHIELDED KEYSTONE COUPLER JACK  
THIS DRAWING AND THE SUBJECT MATTER SHOWN THEREON ARE CONFIDENTIAL AND THE PROPRIETARY PROPERTY OF BEL FUSE, INC. AND SHALL NOT BE REPRODUCED, COPIED, OR USED IN ANY MANNER WITHOUT PRIOR WRITTEN CONSENT OF BEL FUSE, INC.

DRN BY: DG	DATE 03/14/18
APPD BY: TM	DATE 03/14/18
DWG NO. CT820019	REV. A0

# Mouser Electronics

Authorized Distributor

Click to View Pricing, Inventory, Delivery & Lifecycle Information:

Bel:

[SS-82010-001](#)