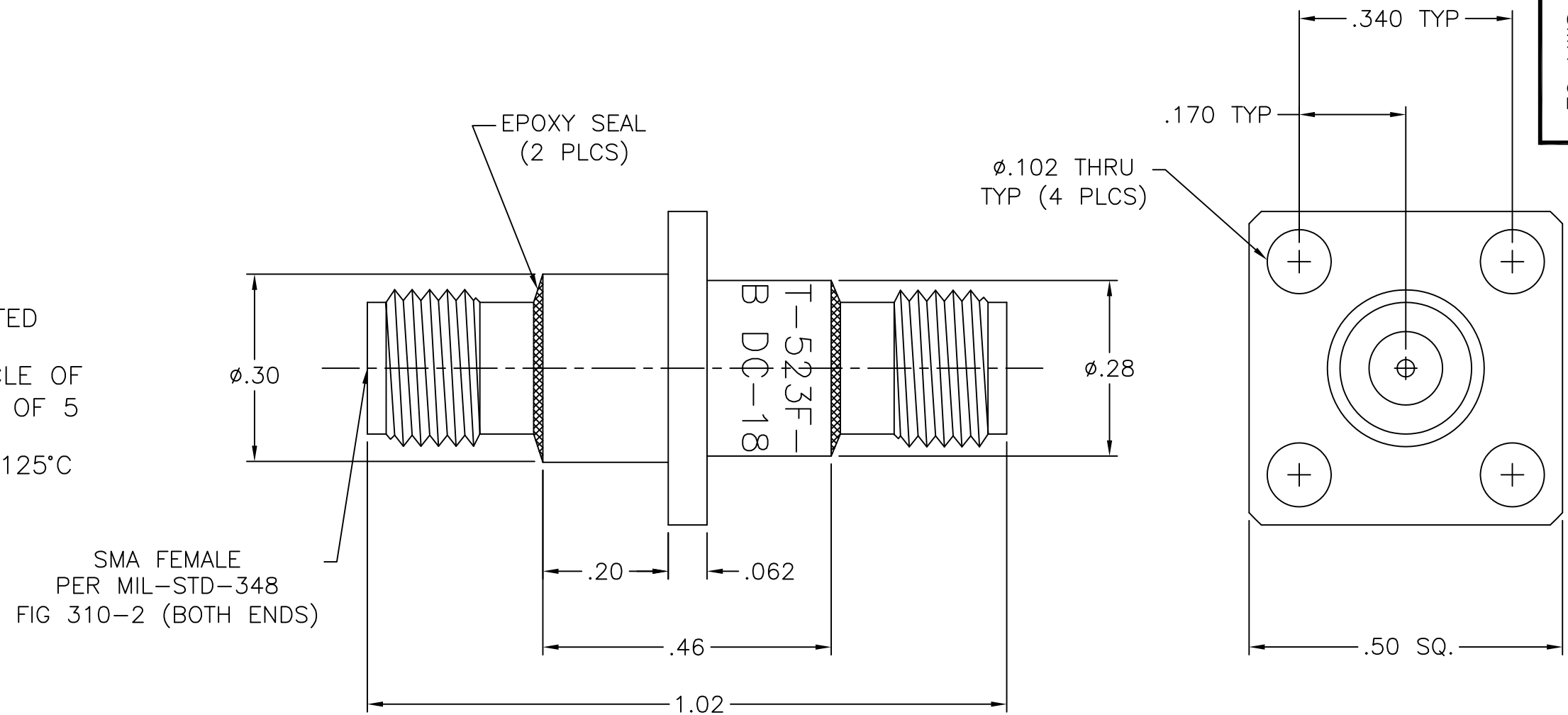


MODEL NUMBER
ATT-523F-XX-SMA-02


- NOTES:
- 1.0 MATERIAL & FINISH:
 - 1.1 HOUSING: PASSIVATED STAINLESS STEEL
 - 1.2 DIELECTRIC: PTFE (TEFLON)
 - 1.3 CENTER CONTACT: GOLD PLATED BERYLLIUM COPPER

- 2.0 SPECIFICATIONS:
 - 2.1 FREQUENCY RANGE: DC TO 18.0 GHz
 - 2.2 ATTENUATION ACCURACY:
 - 0dB: +0.3/-0dB
 - 0.5 - 6dB: ± 0.30dB
 - 6.5 - 20dB: ± 0.5dB
 - 20.5 - 30dB: ± 1.0dB

- 2.3 MAXIMUM VSWR: $1.07 + 0.015f$ (GHz)
- 2.4 MAXIMUM INPUT POWER:
 - 2.4.1 AVERAGE: 2 WATTS AT +25°C DERATED LINEARLY TO 0.5 WATTS AT +125°C
 - 2.4.2 PEAK: 200 WATTS FOR A DUTY CYCLE OF 5×10^{-4} , MAX PULSE DURATION OF 5 MICROSECONDS.
- 2.5 OPERATING TEMP. RANGE: -65°C TO +125°C
- 2.6 IMPEDANCE: 50 OHMS NOMINAL



REV.	DESCRIPTION	DATE
-	RELEASED	5/10/82
A	ECR 1616	8/2/82
B	ECR 3603	5/22/85
C	ECR 6545 (RENUMBER)	7/20/89
D	ECN 10779	7/19/91
E	ECN 11260	11/26/91
F	ECN 12565	4/14/93
G	ECN 13324	2/10/94
G1	ADDED TITLEBLOCK	4/7/05
H	ECO 23910	4/7/05
J	ECO 24022	1/3/12
K	ECO 25206	3/10/2015

NOTICE: The information contained in this drawing is proprietary and must not be used without the permission of Emerson Network Power. UNLESS OTHERWISE NOTED DIMENSIONS ARE IN INCHES AND TOLERANCES ARE: 3 PLACE DECIMALS ±.005 2 PLACE DECIMALS ±.02 FRACTIONS ±1/64 PARALLELITY: T.I.R. _____ FLATNESS: T.I.R. _____ CONCENTRICITY: T.I.R. _____ ANGLES AND PERPENDICULARITY: ±1°	CAGE CODE 34078	MIDWEST MICROWAVE	
		TITLE ATTENUATOR, FLANGE MOUNT 0 - 30 dB	
DRAWN/DATE A.BEATTY 7/19/91	ENG./DATE G.KOZAK 7/19/91	DRAWING NUMBER ATT-523F-XX-SMA-02-01	REV. K
CHECKED/DATE C.RICKARD 7/19/91	APPROVED/DATE J. KEREKES 3/10/15	SCALE: 5=1	SHEET 1 of 1

Mouser Electronics

Authorized Distributor

Click to View Pricing, Inventory, Delivery & Lifecycle Information:

Cinch Connectivity Solutions:

[ATT-523F-01-SMA-02](#) [ATT-523F-00-SMA-02](#) [ATT-523F-02-SMA-02](#) [ATT-523F-06-SMA-02](#) [ATT-523F-08-SMA-02](#)
[ATT-523F-04-SMA-02](#) [ATT-523F-03-SMA-02](#) [ATT-523F-10-SMA-02](#)