

5

4

3

2

1

| | | | | |
|---------------|------------------|---|---|---|
| DRAWING NO. | | | | |
| 40-9588M-CUST | | | | |
| REVISIONS | | | | |
| 01 | OFFICIAL RELEASE | | | |
| | 08-10-09 | J | T | T |

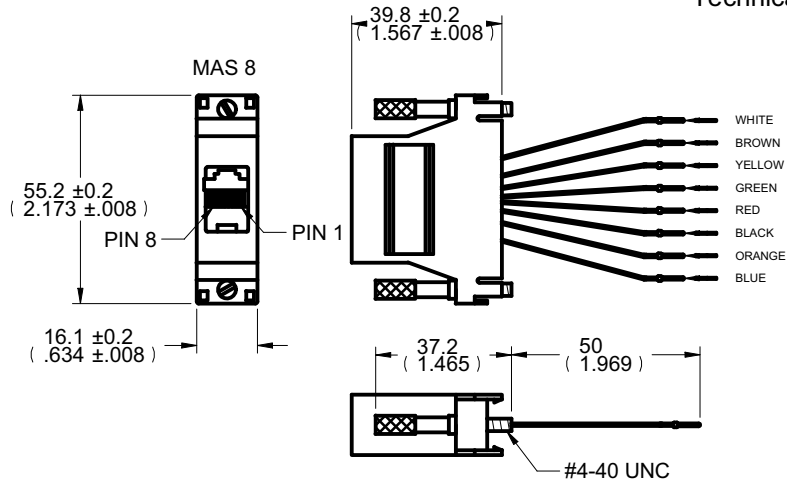


Description: Mod adptr kit, DB25M-RJ45, grey
 Part No: 40-9588M
 Application: Adapter
 Crimp Tool: N/A
 Impedance: N/A
 Frequency Range: N/A
 Material: Connector DC DB25 male
 Terminal D-sub type, male
 Screw #4-40 UNC
 Jack 8P8C
 Hood 8P8C and DC25 GC plastic
 Wire UL1061 26AWG

2009.09.0
 Betty 8.09.26.12
 +03006

| 受控 CONTROLLED DOCUMENT | | | | |
|------------------------|---------------|-----------|----|------------------|
| 编号 P/N | 40-9588M-CUST | 版本 Rev | 01 | 日期 Rel'd Date |
| | | | | SEP 14,09 |

RoHS Compliance: Yes
 Technical Detail: N/A



DIM OUTLINE

| | | | |
|--------------------------------------|--------|-------------|----------|
| TOLERANCE UNLESS OTHERWISE SPECIFIED | | DRAWN BY | DATE |
| | | JEAN.JIN | 08-10-09 |
| DECIMALS | mm | CHECKED BY | DATE |
| X | ± 3 | TERRY.W | 08-10-09 |
| X.X | ± 0.3 | APPROVED BY | DATE |
| X.XX | ± 0.1 | THOMAS | 08-10-09 |
| ANGLES | ± 0.5° | U/M | mm |

| | | |
|-----------------|------------------------------|-----------|
| | | |
| | | |
| SHEET 1 OF 1 | DRAWING NO. 40-9588M-CUST | SIZE A |

THIS DRAWING WAS PRODUCED BY COMPUTER, DO NOT SCALE DRAWING OR UPDATE MANUALLY.

CUSTOMER COPY

5

4

3

2

1

Mouser Electronics

Authorized Distributor

Click to View Pricing, Inventory, Delivery & Lifecycle Information:

[Cinch Connectivity Solutions:](#)

[40-9588M](#)